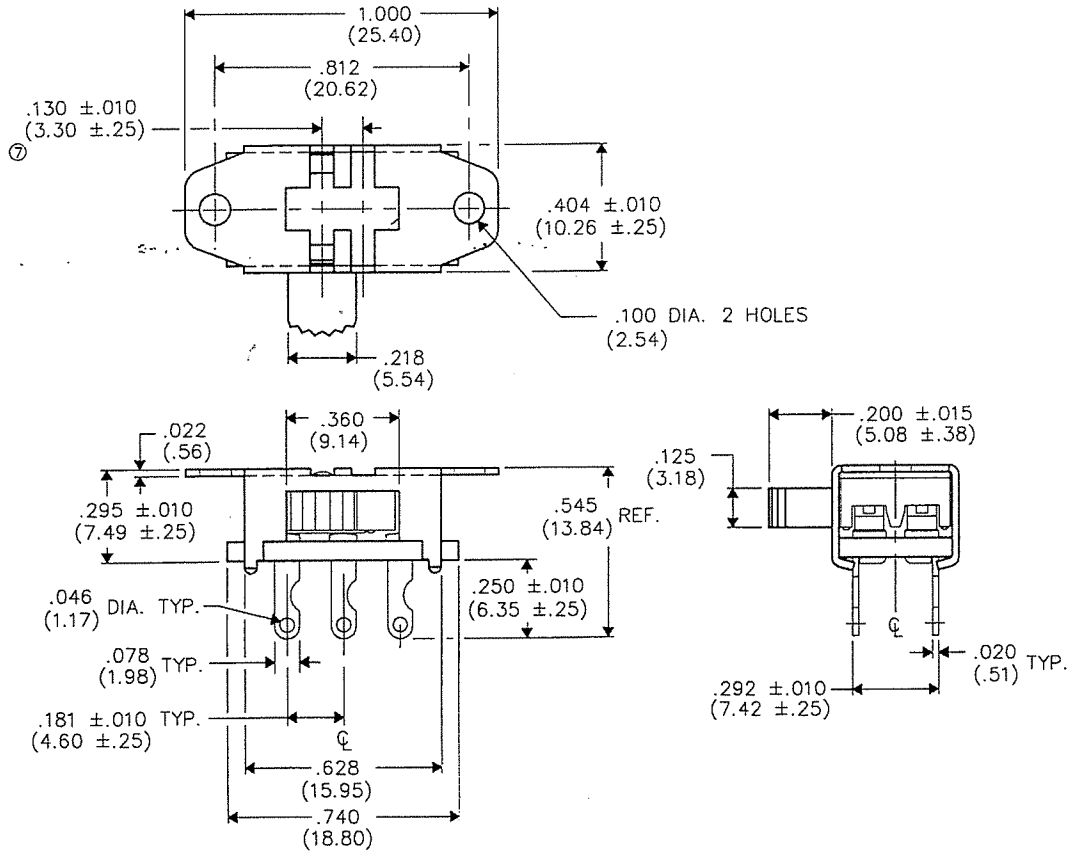


DIMENSIONS IN INCHES (MILLIMETERS)
DO NOT SCALE DRAWING

Dwg. No.
GI-152-0000



FORM-B
REVISIONS
7
UPDATED & REDRAWN.
ADDED METRIC DIM.'s &
REMOVED TRAVEL FROM
.130±.010.
DCW 12-01-94
12/12/94

ATTENTION
THIS DRAWING AND ITS ATTACHMENT, IF ANY, ARE
PROPRIETARY TO CW INDUSTRIES AND DESCRIBE
DESIGNS THAT ARE CONFIDENTIAL AND MUST NOT
BE DISCLOSED UNLESS AUTHORIZED, IN WRITING,
BY AN OFFICER OF CW INDUSTRIES.....

cw INDUSTRIES Southampton, Pa. 18966 TOLERANCES UNLESS OTHERWISE SPECIFIED 2 Place decimal ±.010 METRIC 3 Place decimal ±.005 1 Place dec. ±.25mm Angles ± 1° 2 Place dec. ±.13mm	Title:
	SWIDGET SYDEWINDER D.P.- D.T.
Made for: CW IND.	Division: SWITCH
Drawn by: E.L. 9-03-69	Dwg. No.
Checked by: G.Guid 12-12-94	GI-152-0000
Approval: C. Amun 12/12/94	