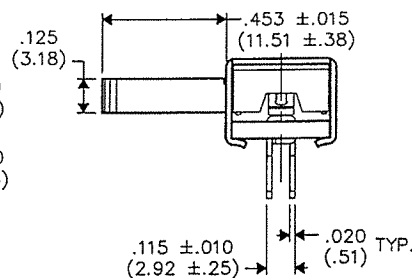
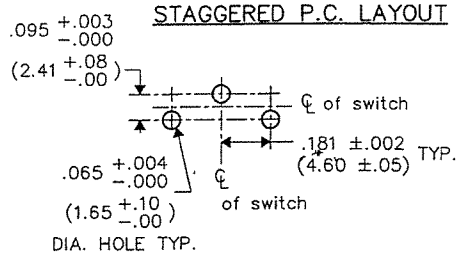
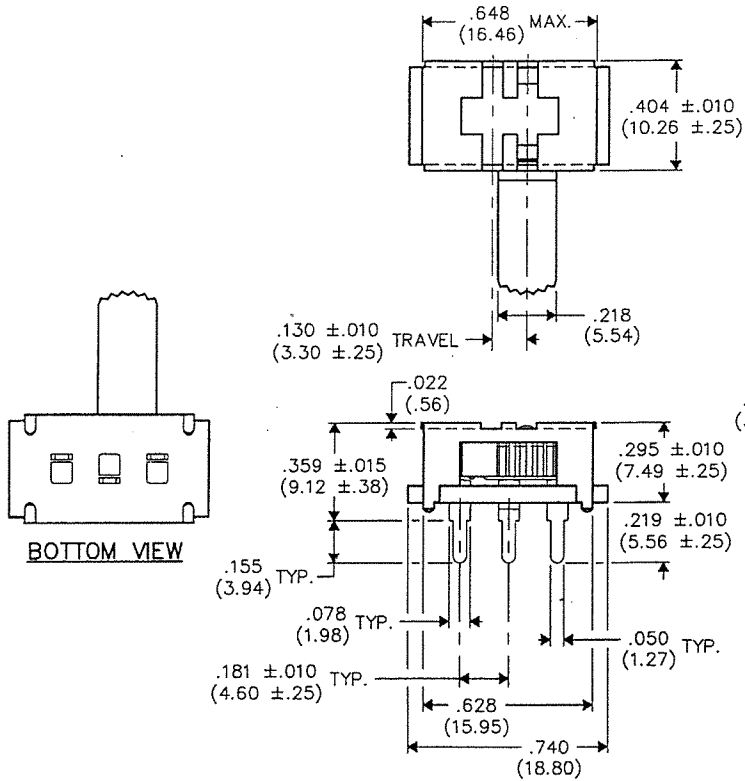


DIMENSIONS IN INCHES (MILLIMETERS)
DO NOT SCALE DRAWING

Dwg. No.
GI-151-0064

E
D
C
B
A



BOTTOM VIEW

STAGGERED P.C. LAYOUT

1 2 3 4 5 6 7 8 9 10

FORM-B3
REVISIONS
0
RELEASED.
DCW 3-12-2008
MAR 17 2008

ATTENTION
THIS DRAWING AND ITS ATTACHMENT, IF ANY, ARE PROPRIETARY TO CW INDUSTRIES AND DESCRIBE DESIGNS THAT ARE CONFIDENTIAL AND MUST NOT BE DISCLOSED UNLESS AUTHORIZED, IN WRITING, BY AN OFFICER OF CW INDUSTRIES.....

CW INDUSTRIES
Southampton, Pa. 18966
TOLERANCES UNLESS OTHERWISE SPECIFIED
2 Place Decimal ±.010 METRIC
3 Place Decimal ±.005 1 Place Dec. ±.25mm
Angles ±1' 2 Place Dec. ±.13mm
Made for: CW IND.
Drawn by: DGW 3-12-2008
Checked by: G. Guld 3-14-08
Approval: G. Guld 3-14-08

Title:
SWITCH
S.P.- D.T.
SYDEWYNDER
Division:
SWITCH
Dwg. No.
GI-151-0064

MASTER