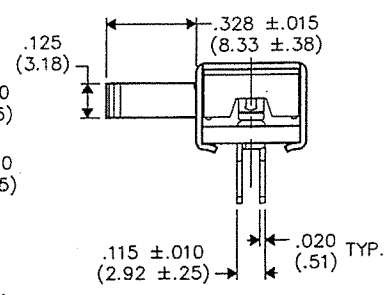
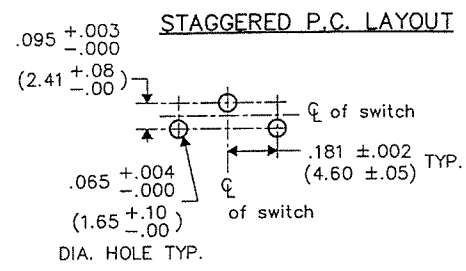
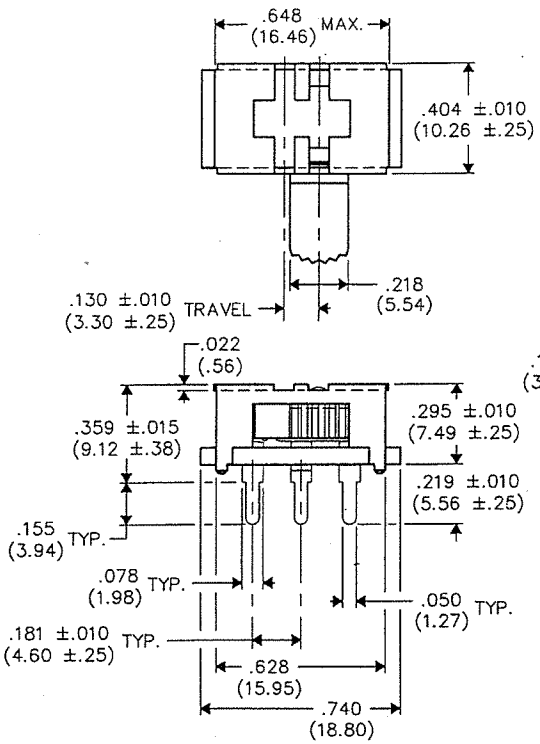
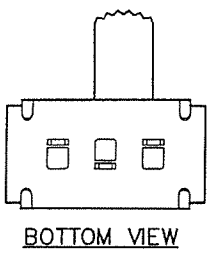


DIMENSIONS IN INCHES (MILLIMETERS)
DO NOT SCALE DRAWING

Dwg. No.
GI-151-0063

E
D
C
B
A



1 2 3 4 5 6 7 8 9 10

FORM-83

REVISIONS	0
RELEASED:	3-12-2008
DGW	MAR 19 2008

ATTENTION
THIS DRAWING AND ITS ATTACHMENT, IF ANY, ARE PROPRIETARY TO CW INDUSTRIES AND DESCRIBE DESIGNS THAT ARE CONFIDENTIAL AND MUST NOT BE DISCLOSED UNLESS AUTHORIZED, IN WRITING, BY AN OFFICER OF CW INDUSTRIES.....

CW INDUSTRIES Southampton, Pa. 18966	
TOLERANCES UNLESS OTHERWISE SPECIFIED	
2 Place Decimal ±.010	METRIC
3 Place Decimal ±.005	1 Place Dec. ±.25mm
Angles ±1°	2 Place Dec. ±.13mm
Made for: CW IND.	
Drawn by: DGW 3-12-2008	
Checked by: G. Guld 3-12-08	
Approval: G. Guld 3-12-08	

Title:	SWITCH S.P.- D.T. SYDEWYNDER
Division:	SWITCH
Dwg. No.	GI-151-0063

MASTER