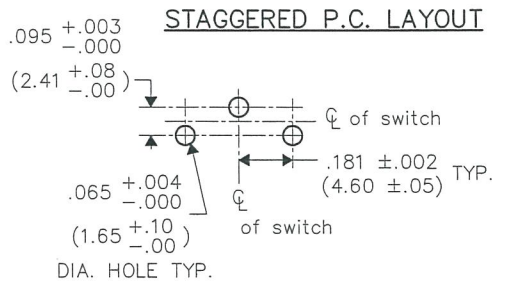
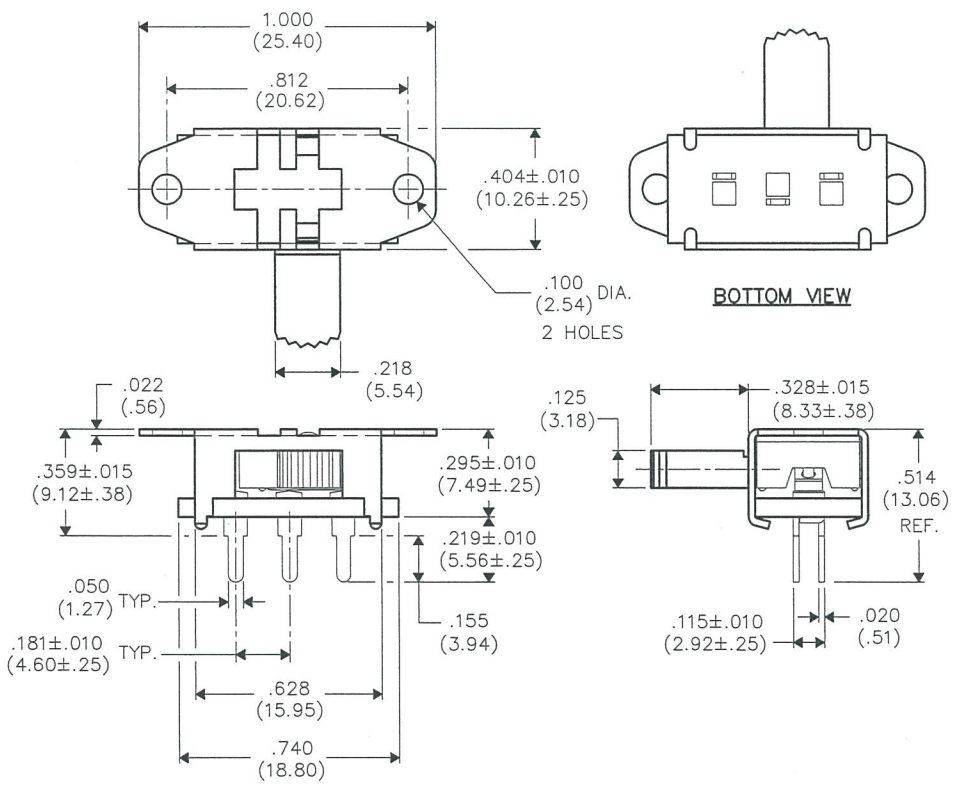


F
D
C
B
A

DIMENSIONS IN INCHES (MILLIMETERS)
DO NOT SCALE DRAWING

Dwg. No.
GI-151-0043

ACTUATOR COLOR: White



1 2 3 4 5 6 7 8 9 10

B-FORMAT 2002
REVISIONS
0
RELEASED: 7/26/17
DWG: 8/15/17
AUG 17 2017

CW INDUSTRIES
Southampton, Pa. 18966

TOLERANCES UNLESS OTHERWISE SPECIFIED

2 Place Decimal ±.010	METRIC
3 Place Decimal ±.005	1 Place Dec. ±.25mm
Angles ±1'	2 Place Dec. ±.13mm

Made for: CW IND.
Drawn by: DGW 7/26/17
Checked by: G. GOLD 7-27-17
Approval: *Chen* 8/15/17

Title: MINI SLIDE
SIDE ACTUATED
SWITCH
S.P./D.T.

Division: SWITCH
Dwg. No. GI-151-0043

MASTER