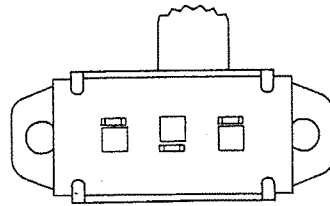
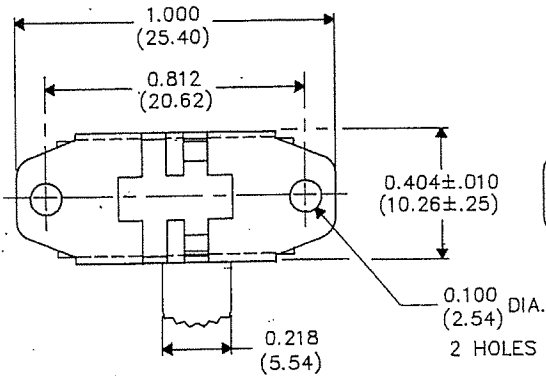
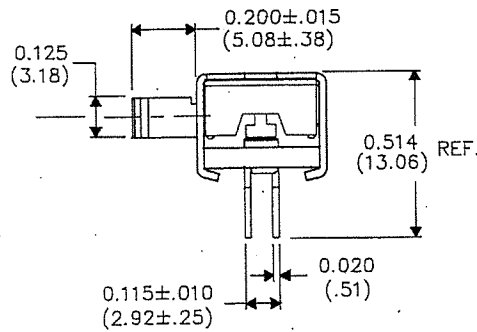
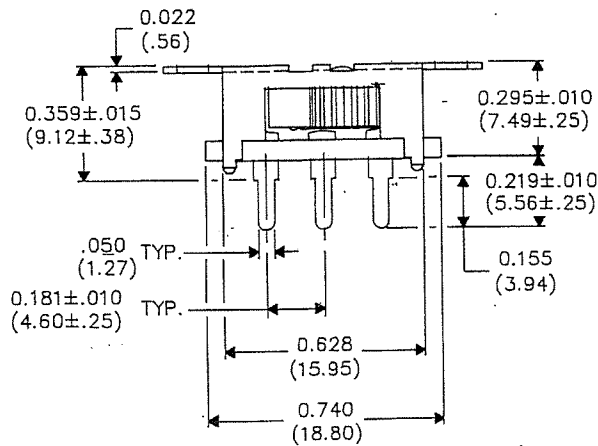


DIMENSIONS IN INCHES (MILLIMETERS)
DO NOT SCALE DRAWING...

Drawing No.
GI-151-0001



BOTTOM VIEW



B-FORM-0

REVISIONS	0
RELEASED	SPR 10-9-91
	OCT 10 1991
	275K

ATTENTION
THIS DRAWING AND ITS ATTACHMENT, IF ANY, ARE PROPRIETARY TO CW INDUSTRIES AND DESCRIBE DESIGNS THAT ARE CONFIDENTIAL AND MUST NOT BE DISCLOSED UNLESS AUTHORIZED, IN WRITING, BY AN OFFICER OF CW INDUSTRIES.....

PDF File Made	CW INDUSTRIES Southampton, Pa. 18966	Title SWIDGET S.P.- D.T. SYDEWYNDER
	TOLERANCES UNLESS OTHERWISE SPECIFIED 2 Place decimal ±.010 METRIC 3 Place decimal ±.005 1 Place dec. ±.25 MM Angles ±1° 2 Place dec. ±.13 MM	Division SWITCH
	Made for: CW IND.	Drawing No. GI-151-0001
	Drawn by: SPR 10-9-91 Checked by: 783K 10-10-91 Approval: 783K 10-10-91	

MASTER