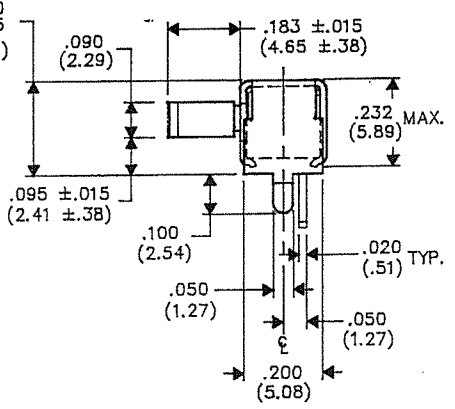
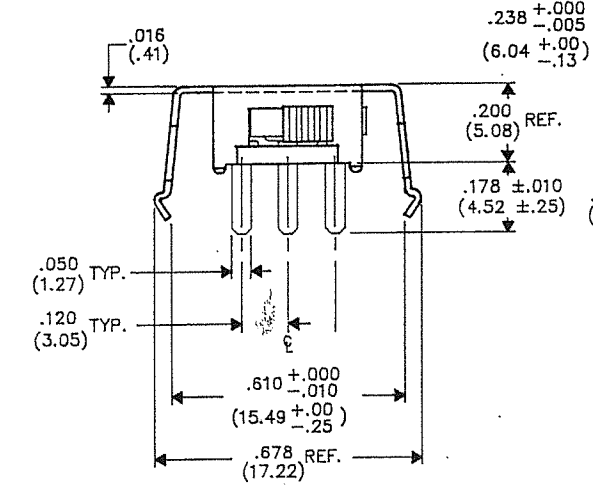
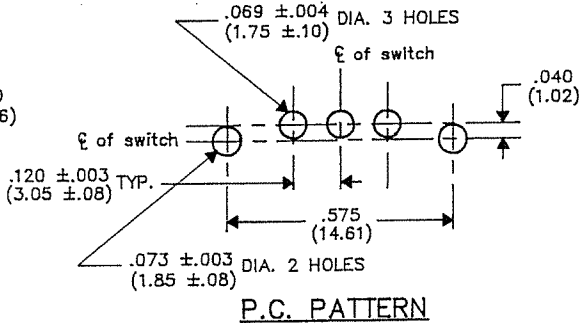
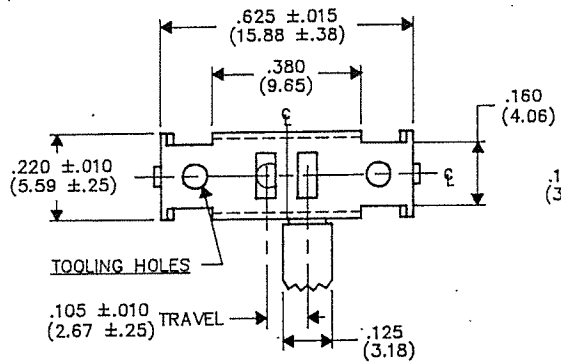


DIMENSIONS IN INCHES (MILLIMETERS)
DO NOT SCALE DRAWING...

Drawing No. **GI-116-0016**



ATTENTION
THIS DRAWING AND ITS ATTACHMENTS, IF ANY, ARE PROPRIETARY TO CW INDUSTRIES AND DESCRIBE DESIGNS THAT ARE CONFIDENTIAL AND MUST NOT BE DISCLOSED UNLESS AUTHORIZED, IN WRITING, BY AN OFFICER OF CW INDUSTRIES.....

CW INDUSTRIES Southampton, Pa. 18966	
TOLERANCES UNLESS OTHERWISE SPECIFIED	
2 Place decimal ±.010	METRIC
3 Place decimal ±.005	1 Place dec. ± .25 MM
Angles ±1°	2 Place dec. ± .13 MM
Made for	CW IND.
Drawn by	DGW 1-12-94
Checked by	G. GULB 1-13-94
Approval	<i>[Signature]</i> 1-18-94

Title	ASSEMBLY SWIDGET JR. S.P.-D.T. SYDEWYNDER
Division	SWITCH
Drawing No.	GI-116-0016

B-FORM-3
REVISIONS
RELEASED
DGW 1-12-94
1.7.94