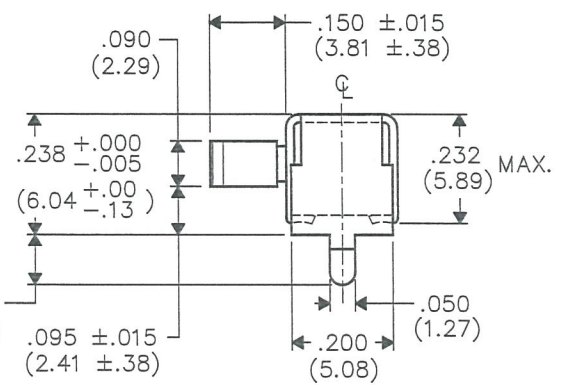
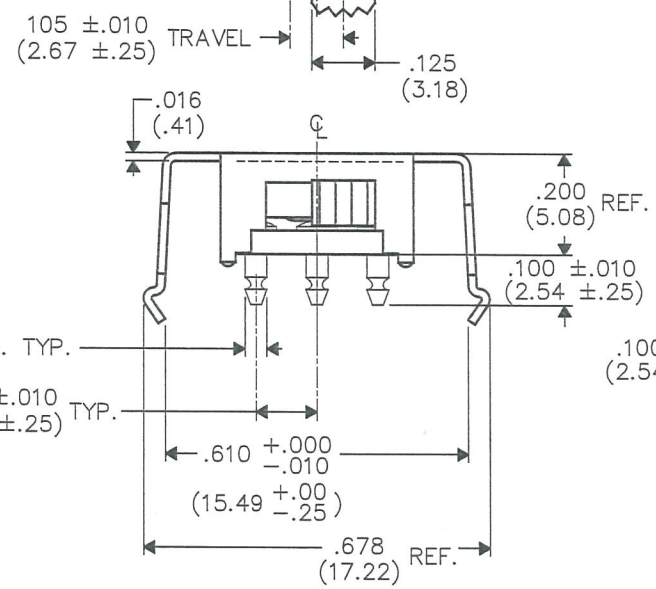
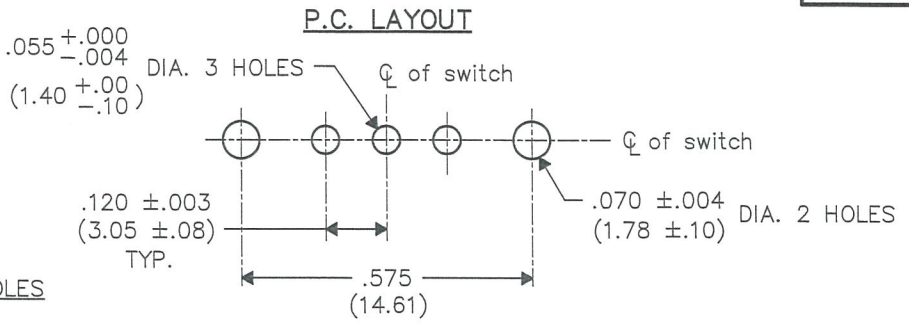
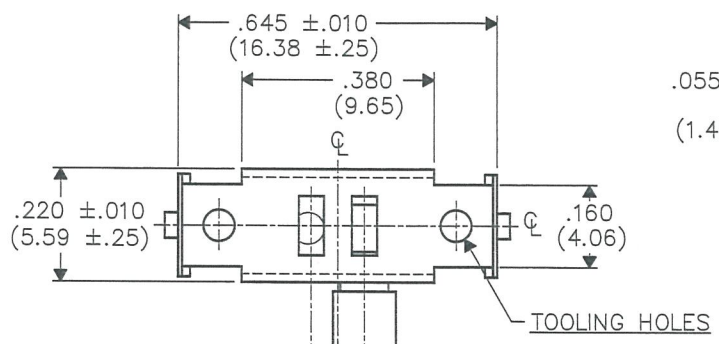


F  
 D  
 C  
 B  
 A

DIMENSIONS IN INCHES (MILLIMETERS)  
 DO NOT SCALE DRAWING .....

Dwg. No.  
**GI-116-0001**



BUTTON: Nylon 6/6, Color- Black

1      2      3      4      5      6      7      8      9      10

B-FORMAT 2002  
**REVISIONS**  
 RELEASED: 10/30/18  
 DCW 10/30/18  
 CA 11/1/18

**CW INDUSTRIES**  
 Southampton, Pa. 18966  
**TOLERANCES UNLESS OTHERWISE SPECIFIED**  
 2 Place Decimal ±.010      METRIC  
 3 Place Decimal ±.005      1 Place Dec. ±.25mm  
 Angles ..... ±1°      2 Place Dec. ±.13mm

Made for: CW IND.  
 Drawn by: DGW 10/30/18  
 Checked by: *B.Guld* 10-31-18  
 Approval: *[Signature]* 11/1/18

Title: **SWIDGET JR. SYDEWYNDER S.P.**  
 Division: **SWITCH**  
 Dwg. No. **GI-116-0001**

MASTER