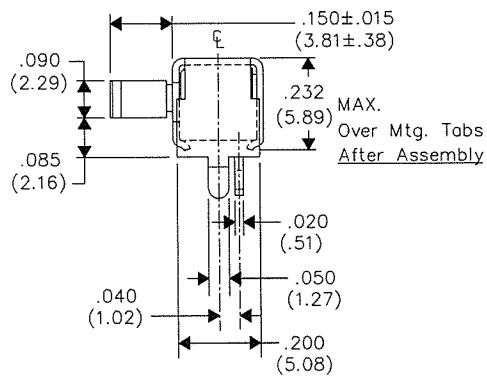
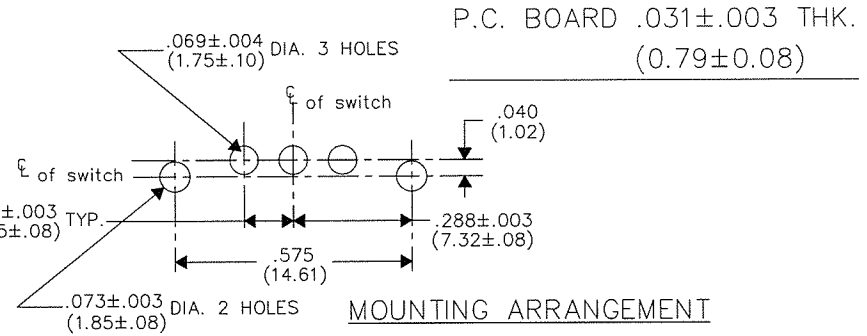
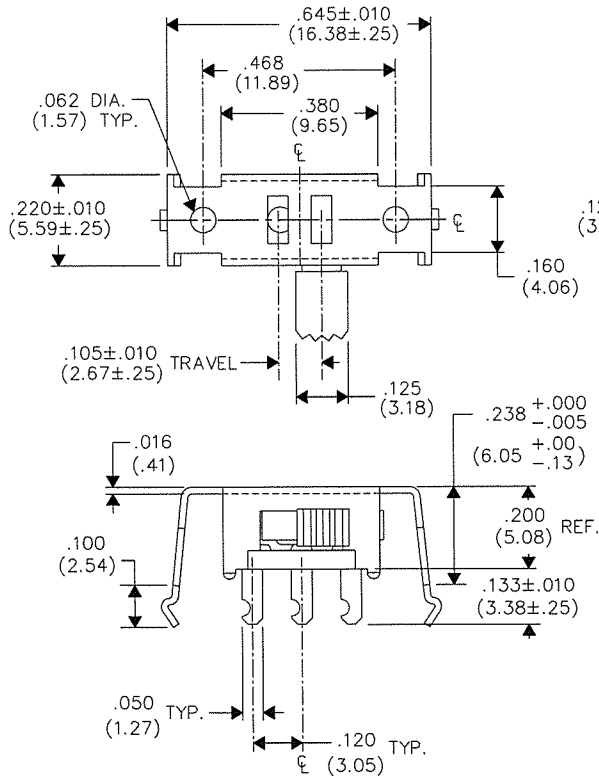


DIMENSIONS IN INCHES (MILLIMETERS)
DO NOT SCALE DRAWING

Dwg. No.
GI-116-0000

E
D
C
B
A



1 2 3 4 5 6 7 8 9 10

B-FORMAT 2002	REVISIONS	5
		REDRAWN, ADDED METRIC DIMENSIONS & NEW FORMAT.
		DGW 11-29-2004 Dec. 20, 2004

ATTENTION

THIS DRAWING AND ITS ATTACHMENTS, IF ANY, ARE PROPRIETARY TO CW INDUSTRIES AND DESCRIBE DESIGNS THAT ARE CONFIDENTIAL AND MUST NOT BE DISCLOSED UNLESS AUTHORIZED, IN WRITING, BY AN OFFICER OF CW INDUSTRIES.....

CW INDUSTRIES Southampton, Pa. 18966 TOLERANCES UNLESS OTHERWISE SPECIFIED 2 Place Decimal ±.010 METRIC 3 Place Decimal ±.005 1 Place Dec. ±.25mm Angles ±1' 2 Place Dec. ±.13mm	Title:	SWIDGET JR. SYDEWYNDER S.P.
	Made for:	CW IND.
	Drawn by:	DGW 11-29-2004
	Checked by:	GG 12-20-04
Approval:	BF 12-20-4	Division: SWITCH
PDF File Made		Dwg. No. GI-116-0000