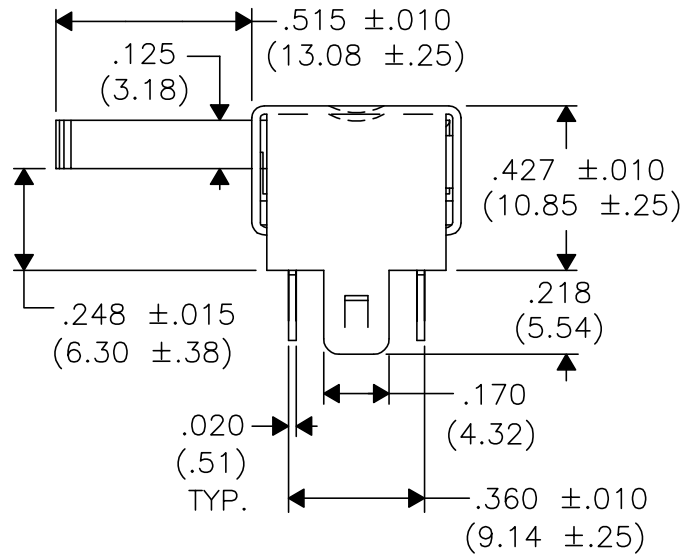
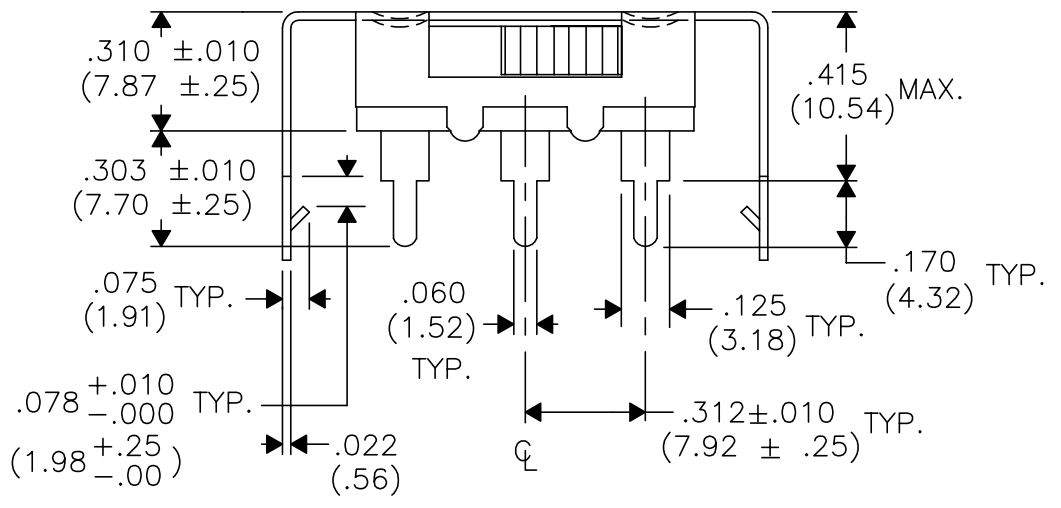
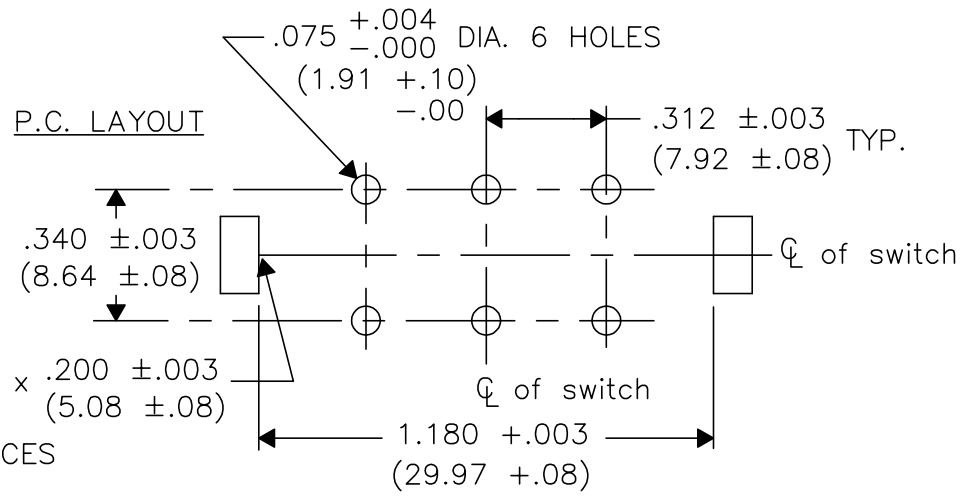
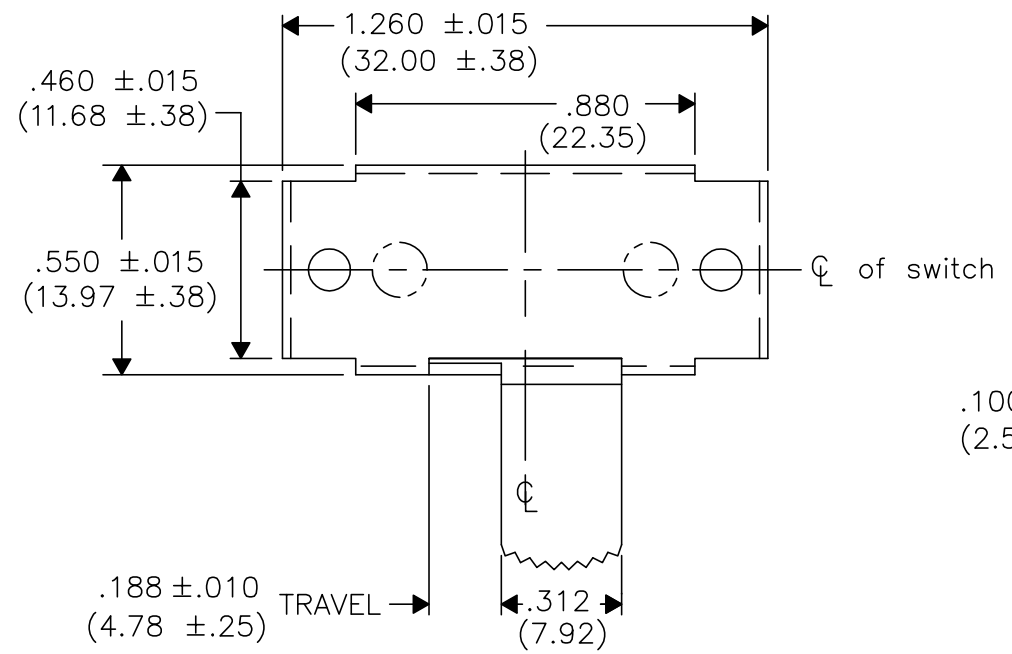


DIMENSIONS IN INCHES (MILLIMETERS)
DO NOT SCALE DRAWING

Dwg. No.
GG-387-0015



1 2 3 4 5 6 7 8 9 10

FORM-B4
REVISIONS
O
RELEASED.
DGW 5-11-2001
MAY 22 2001

CW INDUSTRIES
Southampton, Pa. 18966
TOLERANCES UNLESS OTHERWISE SPECIFIED
2 Place Decimal ±.010 METRIC
3 Place Decimal ±.005 1 Place Dec. ±.25mm
Angles ±1° 2 Place Dec. ±.13mm
Made for: CW IND.
Drawn by: DGW 5-11-2001
Checked by: GG 5-21-2001
Approval: BF 5-22-2001

Title: RIGHT ANGLE
SLIDE SWITCH
D.P.- D.T.
W/SNAP-IN HOUSING
Division: SWITCH
Dwg. No. GG-387-0015