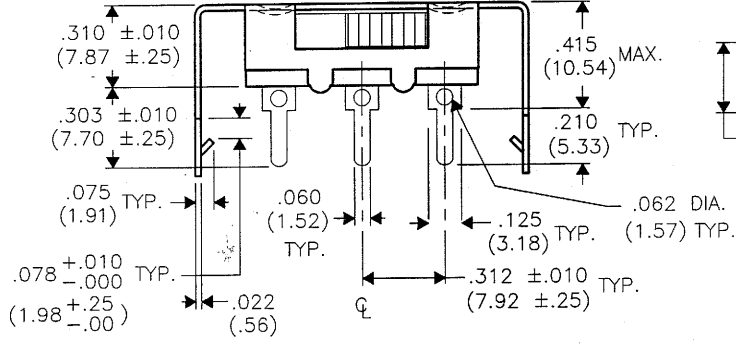
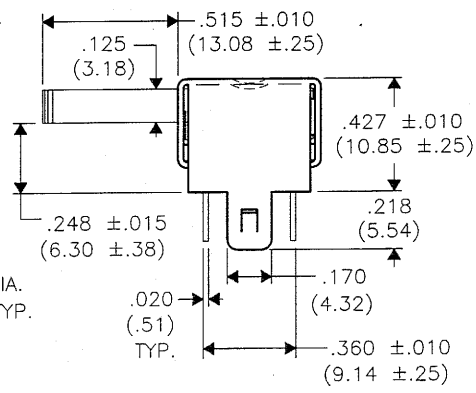
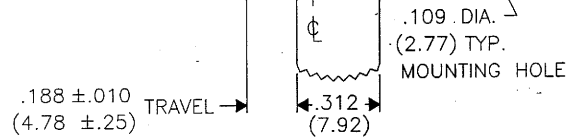
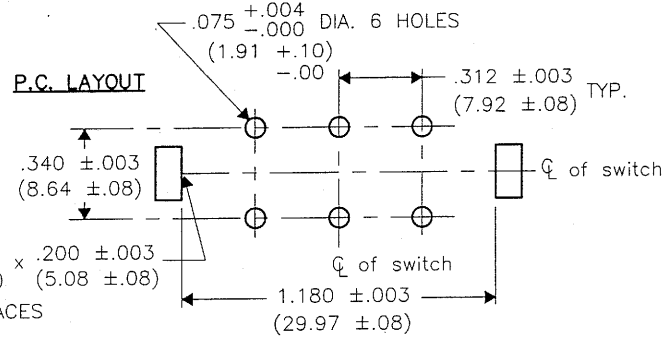
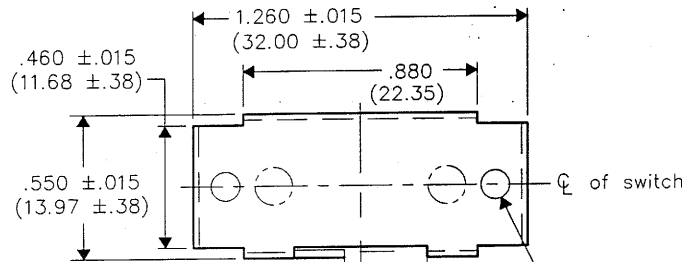


DIMENSIONS IN INCHES (MILLIMETERS)
DO NOT SCALE DRAWING

Dwg. No.
GG-387-0012

E
D
C
B
A



1 2 3 4 5 6 7 8 9 10

B-FORMAT 2002
REVISIONS
RELEASED: DGW 5-13-2004
MAY 27 2004

CW INDUSTRIES
Southampton, Pa. 18966
TOLERANCES UNLESS OTHERWISE SPECIFIED
2 Place Decimal ±.010 METRIC
3 Place Decimal ±.005 1 Place Dec. ±.25mm
Angles ±1° 2 Place Dec. ±.13mm

Title:
SWITCH ASSEMBLY D.P.D.T. (SYDEWYNDER)

Made for: CW IND.
Drawn by: DGW 5-13-2004
Checked by: G. Guld 5-25-04
Approval: P.P. 5-24-04

Division:
SWITCH
Dwg. No.
GG-387-0012