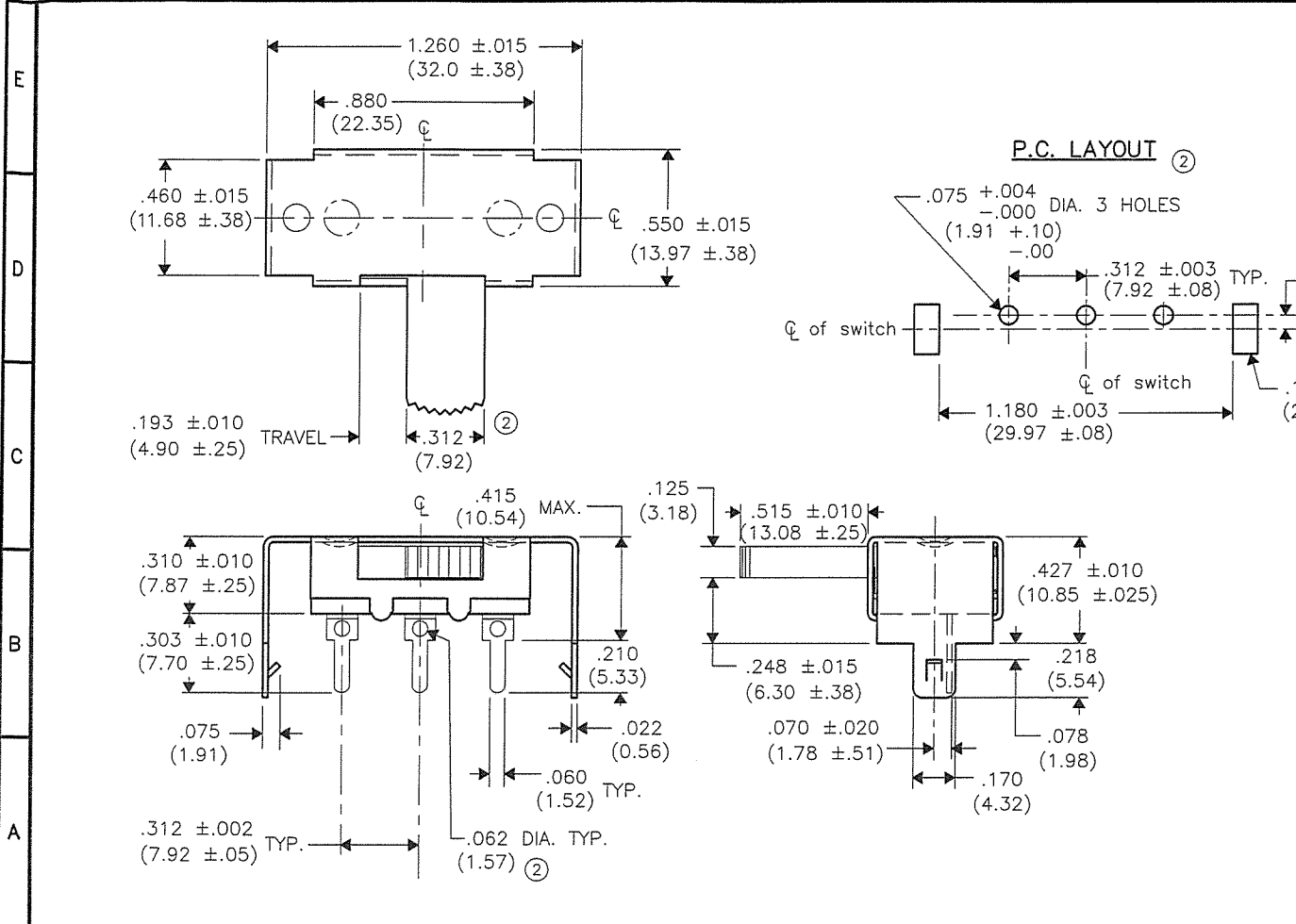


DIMENSIONS IN INCHES (MILLIMETERS)
DO NOT SCALE DRAWING

Dwg. No.
GG-372-0001



1 2 3 4 5 6 7 8 9 10

B-FORMAT 2002	REVISIONS	2	REDRAWN. ADDED .062 DIA. & PC LAYOUT. BUTTON WIDTH .312 WAS .307. 5-12-2004
			MAY 27 2004

ATTENTION
 THIS DRAWING AND ITS ATTACHMENTS, IF ANY, ARE
 PROPRIETARY TO CW INDUSTRIES AND DESCRIBE
 DESIGNS THAT ARE CONFIDENTIAL AND MUST NOT
 BE DISCLOSED UNLESS AUTHORIZED, IN WRITING,
 BY AN OFFICER OF CW INDUSTRIES.

CW INDUSTRIES
 Southampton, Pa. 18966

TOLERANCES UNLESS OTHERWISE SPECIFIED

2 Place Decimal ±.010	METRIC
3 Place Decimal ±.005	1 Place Dec. ±.25mm
Angles ±1°	2 Place Dec. ±.13mm

Made for: CW IND.
 Drawn by: DGW 5-12-2004
 Checked by: G. Gold 5-25-04
 Approval: A. Flynn 5-24-4

Title:	SWITCH ASSEMBLY S.P.D.T. (SYDEWYNDER)
Division:	SWITCH
Dwg. No.	GG-372-0001