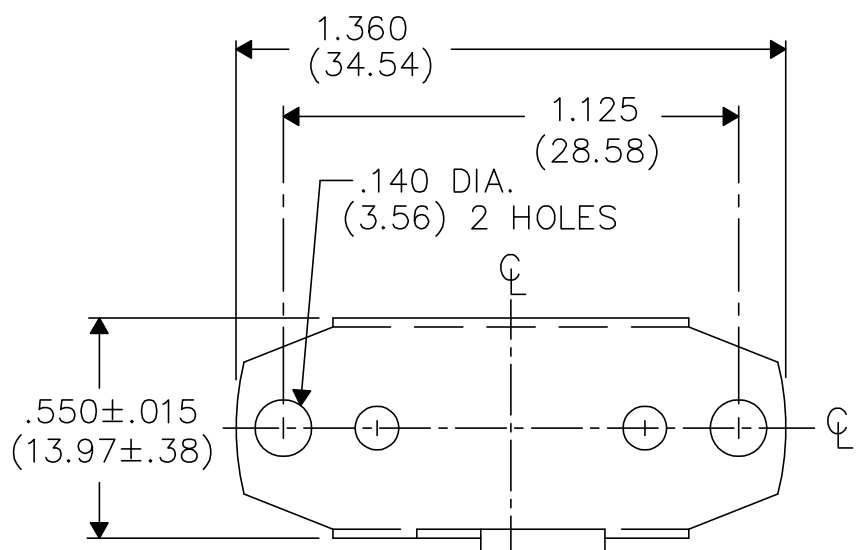


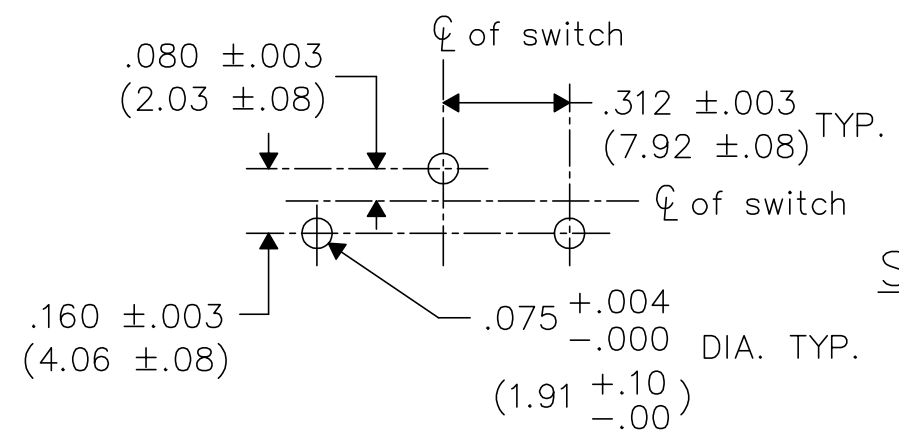
DIMENSIONS IN INCHES (MILLIMETERS)
DO NOT SCALE DRAWING

Dwg. No.
GG-351-0001

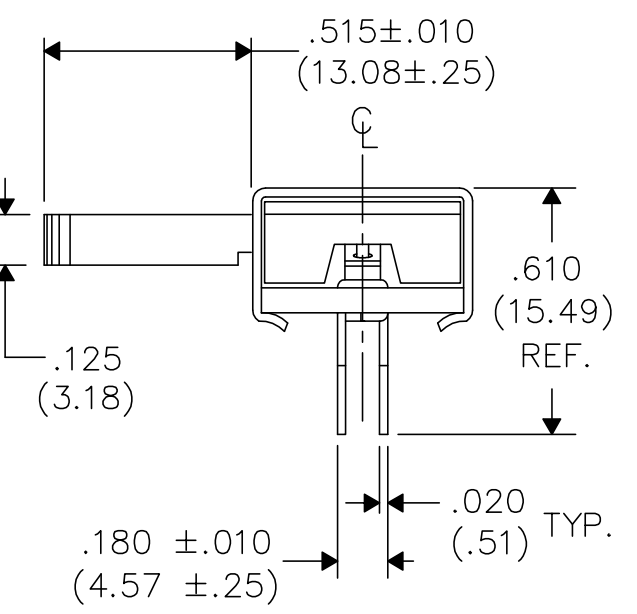
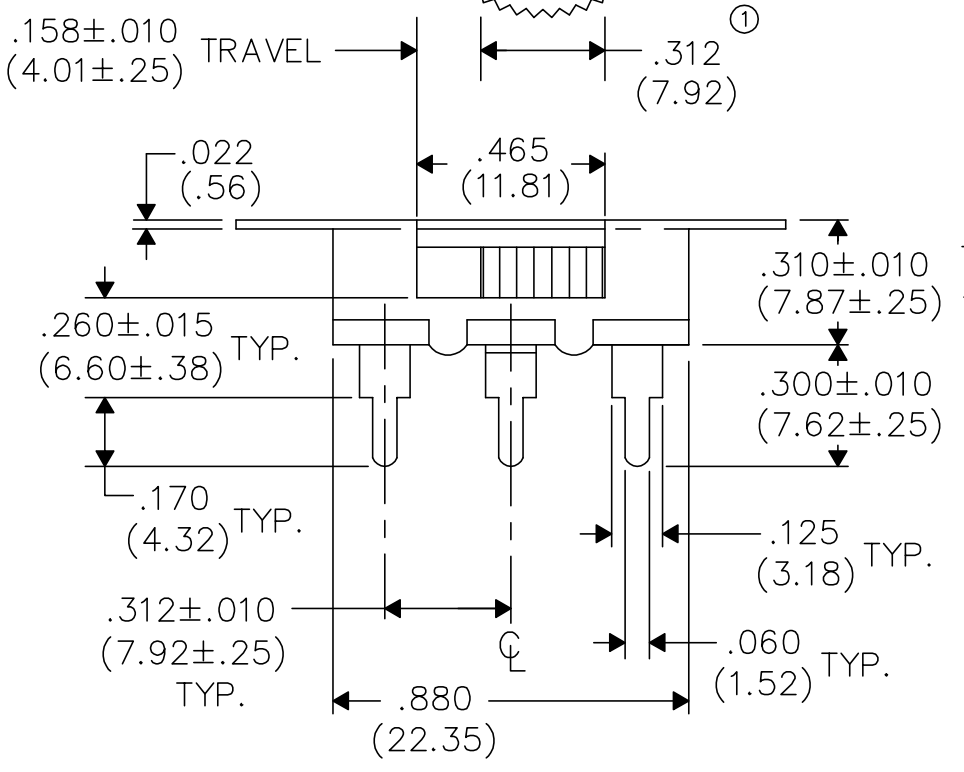
NOTE:
Dimensions in () are in millimeters.



P.C. LAYOUT



STAGGERED



1	2	3	4	5	6	7	8	9	10
---	---	---	---	---	---	---	---	---	----

B-FORMAT 2002
REVISIONS
1
REDRAWN .312 WAS .307.
DGW 4-05-2004
MAY 03, 2004

CW INDUSTRIES
Southampton, Pa. 18966

TOLERANCES UNLESS OTHERWISE SPECIFIED
2 Place Decimal ±.010 METRIC
3 Place Decimal ±.005 1 Place Dec. ±.25mm
Angles ±1° 2 Place Dec. ±.13mm

Title: SWITCH ASSEMBLY (Sydewynder) S.P.- D.T.

Made for: CW IND.
Drawn by: DGW 4-05-2004
Checked by: GG 4-13-04
Approval: BF 4-27-4

Division: SWITCH
Dwg. No. GG-351-0001

PDF File Made