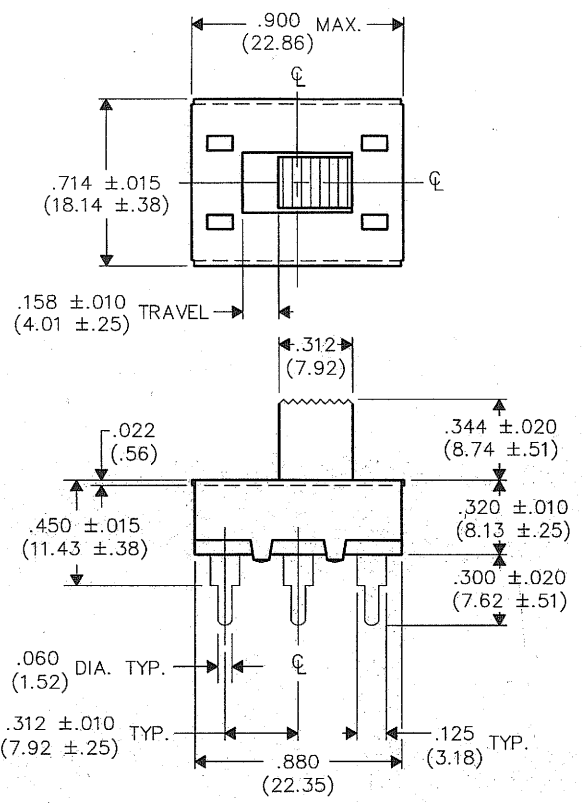


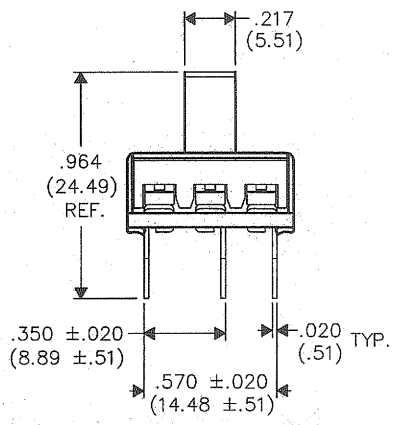
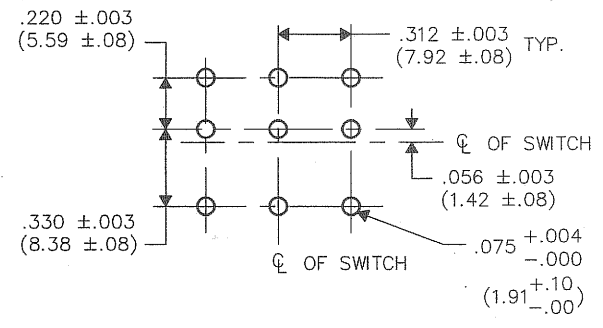
F
D
C
B
A

DIMENSIONS IN INCHES (MILLIMETERS)
DO NOT SCALE DRAWING

Dwg. No.
GF-661-0010



P.C. LAYOUT



ELECTRICAL RATING:
6A. AC .5A DC 125V

AGENCY LISTING:
Underwriters Laboratories
UL Standard 1054

MATERIALS:
ACTUATOR- Nylon 6/6
HOUSING- Zinc Plated Steel
BASE- Phenolic Laminate
MOVING & STATIONARY CONTACT-
Silver Plated Copper Alloy

B-FORMAT 2002	REVISIONS	0								
		RELEASED: DGW 3-05-12 MAR 5 2012								

PDF MADE	CW INDUSTRIES Southampton, Pa. 18966	Title: SLIDE SWITCH
	TOLERANCES UNLESS OTHERWISE SPECIFIED	3 Pole/D.T. W/DETENT NO MOUNTING EARS
	2 Place Decimal ±.010 METRIC 3 Place Decimal ±.005 1 Place Dec. ±.25mm Angles ±1° 2 Place Dec. ±.13mm	Division: SWITCH
	Made for: CW IND.	Dwg. No. GF-661-0010
	Drawn by: DGW 3-05-12 Checked by: <i>[Signature]</i> 3/5/12 Approval: <i>[Signature]</i> 3/5/12	

MASTER