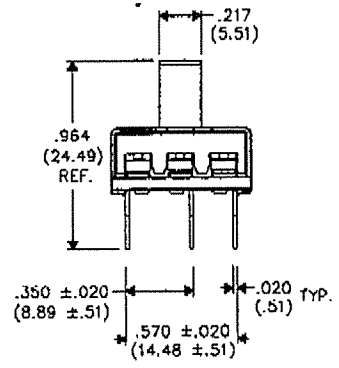
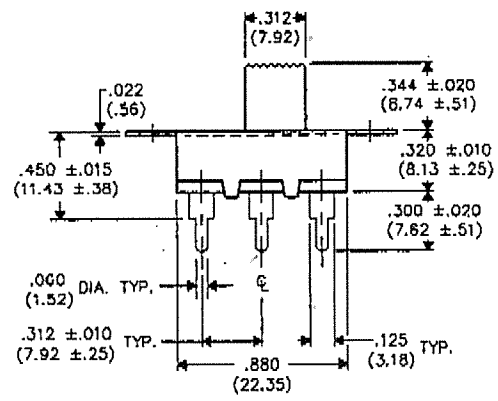
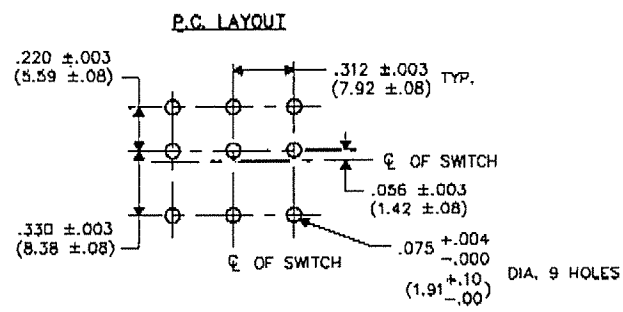
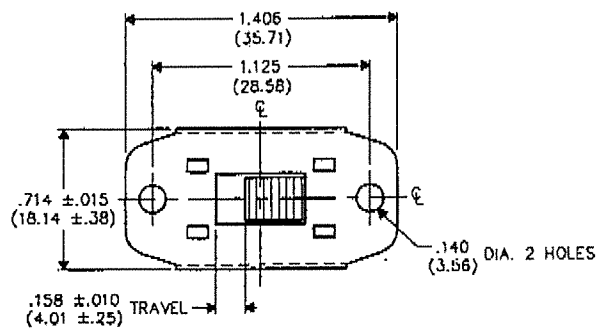


DIMENSIONS IN INCHES (MILLIMETERS)
DO NOT SCALE DRAWING

Dwg. No.
GF-661-0001



FORM-BZ
REVISIONS
0
RELEASED:
DWG 1-24-96
11:11 1236

ATTENTION
THIS DRAWING AND ITS ATTACHMENT, IF ANY, ARE PROPRIETARY TO CW INDUSTRIES AND DESCRIBE DESIGNS THAT ARE CONFIDENTIAL AND MUST NOT BE DISCLOSED UNLESS AUTHORIZED, IN WRITING, BY AN OFFICER OF CW INDUSTRIES.....

PDF File Made

CW INDUSTRIES Southampton, Pa. 18966	
TOLERANCES UNLESS OTHERWISE SPECIFIED	
2 Place Decimal ±.010	METRIC
3 Place Decimal ±.005	1 Place Dec. ±.25mm
Angles ±1°	2 Place Dec. ±.13mm
Made for: CW IND.	
Drawn by: DGW 1-24-96	
Checked by: G. GULD 1-31-96	
Approved: [Signature]	

Title:
**SLIDE SWITCH
STANDARD ASSEMBLY
3 POLE/D.T. W/DETENT**

Division:
SWITCH

Dwg. No.
GF-661-0001