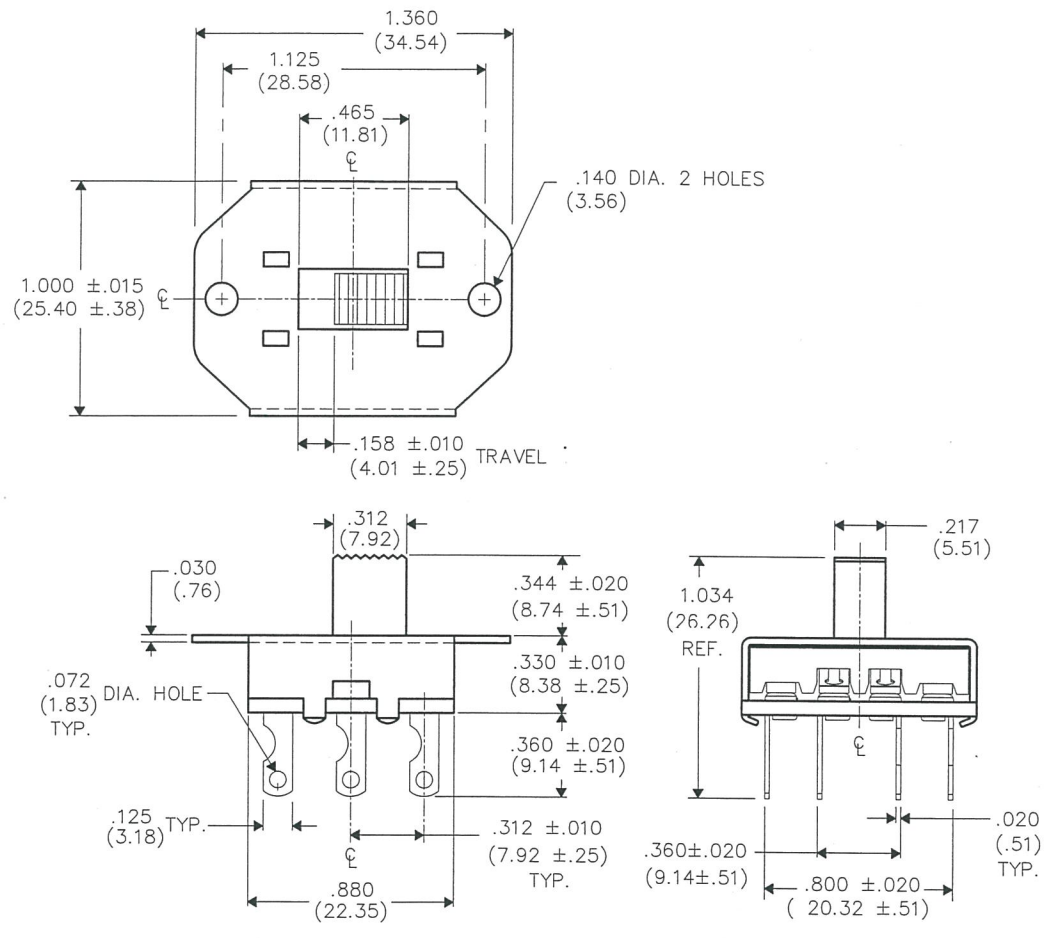


F  
 D  
 C  
 B  
 A

DIMENSIONS IN INCHES (MILLIMETERS)  
DO NOT SCALE DRAWING .....

Dwg. No.  
**GF-642-0000**



1      2      3      4      5      6      7      8      9      10

B-FORMAT 2002	<b>REVISIONS</b>	0
	RELEASED: DGW 1-20-2016 JAN 25 2016	

PDF FILE MADE	<b>CW INDUSTRIES</b> Southampton, Pa. 18966	Title: <b>ASSEMBLY DRAWING SWITCH 4 POLE D.T.</b>								
	<table border="1"> <tr> <th colspan="2">TOLERANCES UNLESS OTHERWISE SPECIFIED</th> </tr> <tr> <td>2 Place Decimal ±.010</td> <td>METRIC</td> </tr> <tr> <td>3 Place Decimal ±.005</td> <td>1 Place Dec. ±.25mm</td> </tr> <tr> <td>Angles ..... ±1°</td> <td>2 Place Dec. ±.13mm</td> </tr> </table>		TOLERANCES UNLESS OTHERWISE SPECIFIED		2 Place Decimal ±.010	METRIC	3 Place Decimal ±.005	1 Place Dec. ±.25mm	Angles ..... ±1°	2 Place Dec. ±.13mm
	TOLERANCES UNLESS OTHERWISE SPECIFIED									
	2 Place Decimal ±.010	METRIC								
3 Place Decimal ±.005	1 Place Dec. ±.25mm									
Angles ..... ±1°	2 Place Dec. ±.13mm									
Made for: CW IND.	Division: <b>SWITCH</b>									
Drawn by: DGW 1-20-2016	Dwg. No. <b>GF-642-0000</b>									
Checked by: <i>G. GULD 1-21-16</i>										
Approval: <i>G. GULD 1-21-16</i>										

MASTER