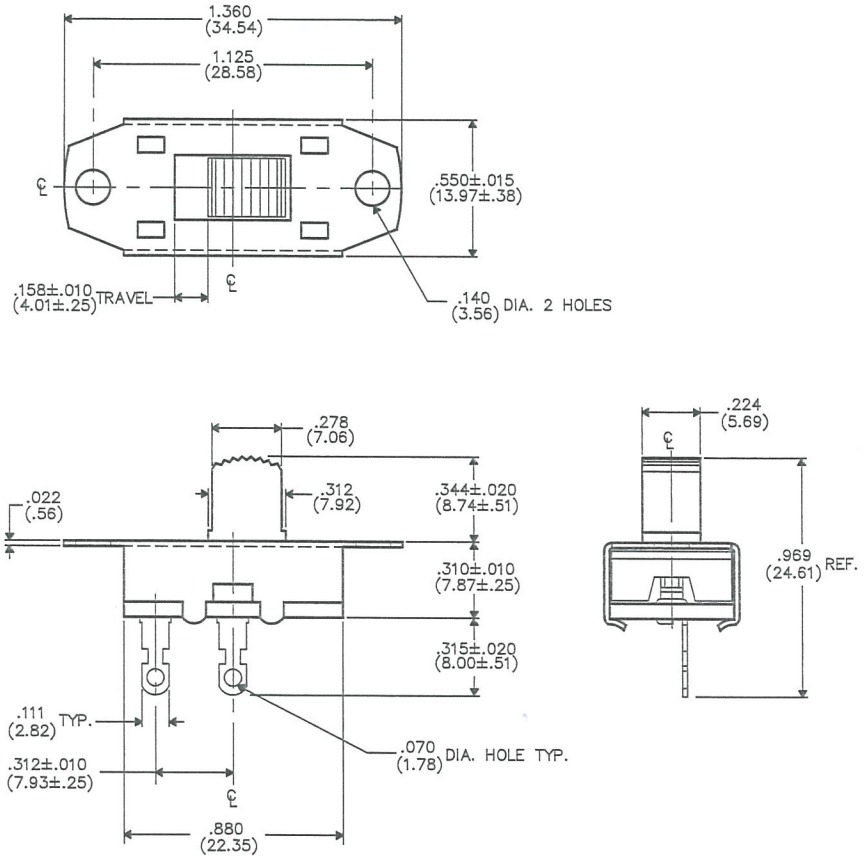


F  
 D  
 C  
 B  
 A

THIS INFORMATION IS CONFIDENTIAL AND PROPRIETARY TO CW INDUSTRIES INCORPORATED AND ITS AFFILIATES. IT MAY NOT BE DISCLOSED TO ANYONE, OTHER THAN CW INDUSTRIES PERSONNEL, WITHOUT WRITTEN AUTHORIZATION FROM CW INDUSTRIES INCORPORATED, SOUTHAMPTON, PENNSYLVANIA USA.

DIMENSIONS IN INCHES (MILLIMETERS)  
 DO NOT SCALE DRAWING .....  
 Dwg. No. **GF-623-6014**



**Material Spec.'s:**  
 Button: Nylon 6/6, Color Black  
 Housing: Cold Rolled Steel/Zinc Plated  
 Moving & Stationary Contacts:  
 Copper Alloy/Silver Plated

**Ratings:**  
 6A. AC .5A. DC 125V  
 UL & CSA Listed

B-FORMAT 2002	<b>REVISIONS</b>									
	0	RELEASED: SPR 4-7-92 RBK Apr.8 1992								
	1	Redrawn - Added Material & Ratings. DcW 10/18/18								
		<i>10/18/18</i>								

PDF MADE	<b>CW INDUSTRIES</b> Southampton, Pa. 18966	Title: <b>SLIDE SWITCH ASSEMBLY S.P. - S.T.</b>
	TOLERANCES UNLESS OTHERWISE SPECIFIED	
	2 Place Decimal ±.010 METRIC 3 Place Decimal ±.005 1 Place Dec. ±.25mm Angles ..... ±1' 2 Place Dec. ±.13mm	
	Made for: CW IND.	Division: <b>SWITCH</b>
Drawn by: SPR 4-7-92		Dwg. No. <b>GF-623-6014</b>
Checked by: <i>G.GULD 10-19-18</i>		
Approval: <i>[Signature] 10/15/18</i>		

MASTER