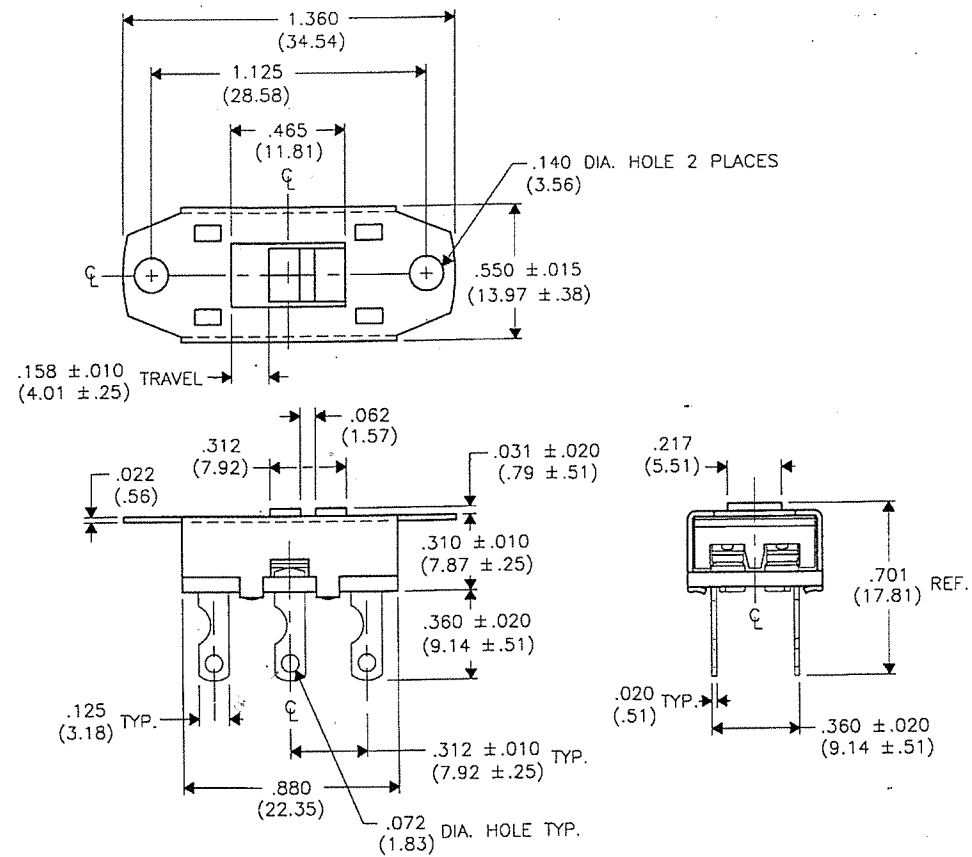


DIMENSIONS IN INCHES (MILLIMETERS)
DO NOT SCALE DRAWING

Dwg. No.
GF-326-0149



MATERIALS:

- BUTTON - Nylon 6/6, BK-1
- HOUSING - Cold Rolled Steel/Zink Plated
- CONTACT - Phos. Bronze, C (Copper Alloy #521) SPRING
- CONTACT - Extra Hard #194 Alloy, SHOE Gold Plate .000010 thk. min. over Nickel Plate .000050 thk. min.
- TERMINAL - CDA 110 Copper Alloy, Gold Plate .000010 thk. min. over Nickel Plate .000050 thk. min.
- TERMINAL - NEMA XP BOARD

FORM-B
REVISIONS
0
RELEASED
DGW 9-19-95
SEP 25 1995

ATTENTION
THIS DRAWING AND ITS ATTACHMENT, IF ANY, ARE PROPRIETARY TO CW INDUSTRIES AND DESCRIBE DESIGNS THAT ARE CONFIDENTIAL AND MUST NOT BE DISCLOSED UNLESS AUTHORIZED, IN WRITING, BY AN OFFICER OF CW INDUSTRIES.....

<p>CW INDUSTRIES Southampton, Pa. 18966</p> <p>TOLERANCES UNLESS OTHERWISE SPECIFIED</p> <p>2 Place decimal ±.010 METRIC 3 Place decimal ±.005 1 Place dec. ±.25mm Angles ± 1' 2 Place dec. ±.13mm</p> <p>Made for: CW IND.</p> <p>Drawn by: DGW 9-19-95</p> <p>Checked by: G. Guld 9-22-95</p> <p>Approved: [Signature] 9-22-95</p>	<p>Title:</p> <p>SWITCH ASSEMBLY D.P.- D.T.</p>
	<p>Division:</p> <p>SWITCH</p>
<p>Dwg. No.</p> <p>GF-326-0149</p>	