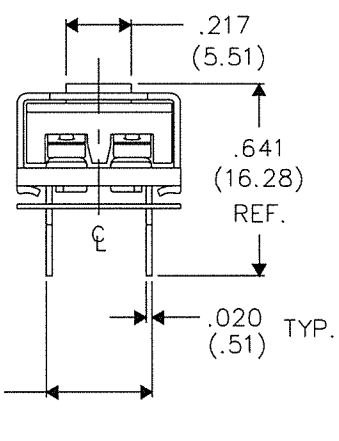
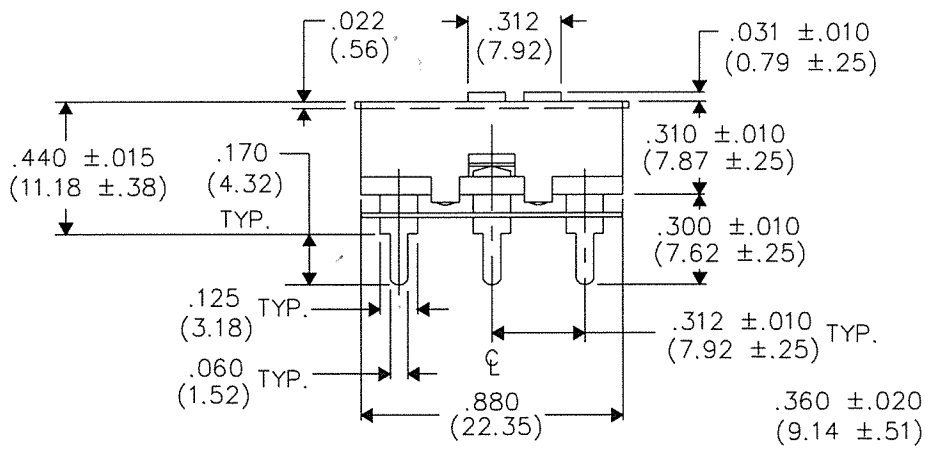
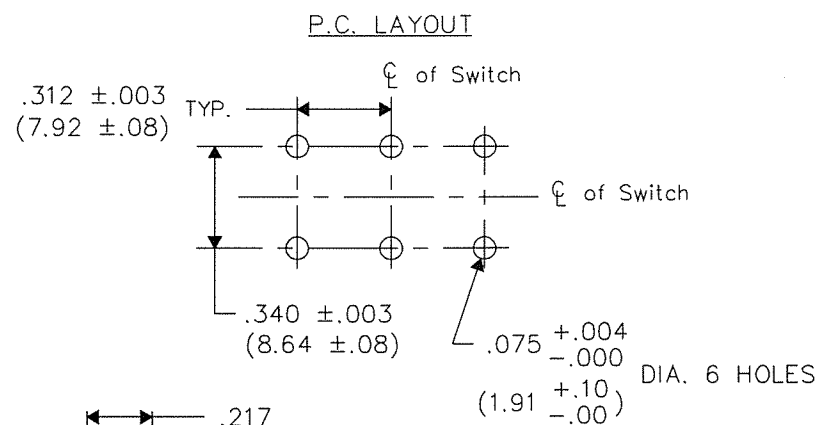
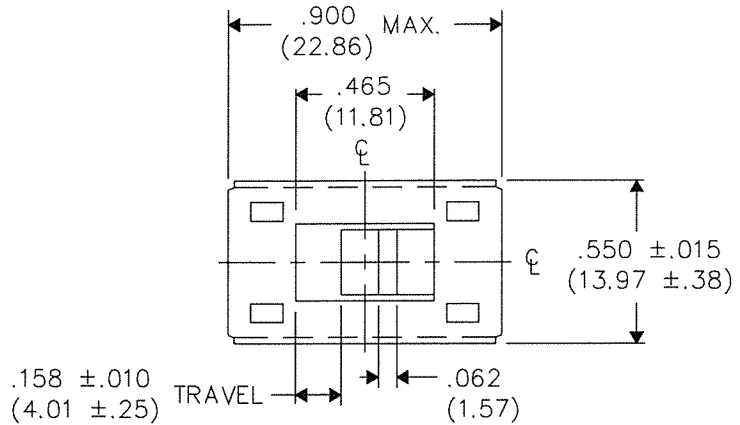


DIMENSIONS IN INCHES (MILLIMETERS)
DO NOT SCALE DRAWING

Dwg. No.
GF-326-0127

E
D
C
B
A



1 2 3 4 5 6 7 8 9 10

B-FORMAT 2002

REVISIONS	0
RELEASED:	DGW 10-07-2003
	OCT. 21, 2003

ATTENTION
THIS DRAWING AND ITS ATTACHMENT, IF ANY, ARE PROPRIETARY TO CW INDUSTRIES AND DESCRIBE DESIGNS THAT ARE CONFIDENTIAL AND MUST NOT BE DISCLOSED UNLESS AUTHORIZED, IN WRITING, BY AN OFFICER OF CW INDUSTRIES.....

CW INDUSTRIES Southampton, Pa. 18966	
TOLERANCES UNLESS OTHERWISE SPECIFIED	
2 Place Decimal ±.010	METRIC
3 Place Decimal ±.005	1 Place Dec. ±.25mm
Angles ±1°	2 Place Dec. ±.13mm
Made for: CW IND.	
Drawn by: DGW 10-07-2003	
Checked by: GG 10-17-03	
Approval: BF 10-17-3	

Title:	SWITCH ASSEMBLY D.P.- D.T. SLOTTED BUTTON
Division:	SWITCH
Dwg. No.	GF-326-0127

PDF File Made