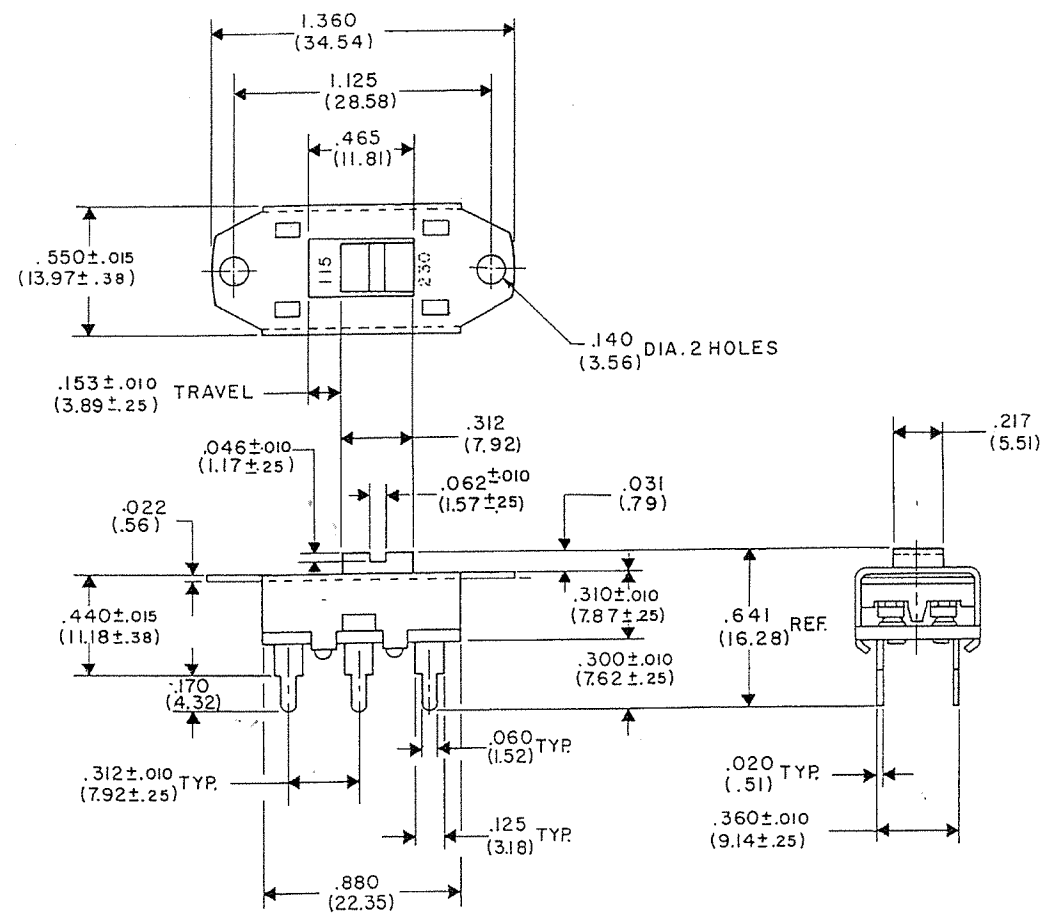


DIMENSIONS IN INCHES (METRIC-MILLIMETERS)  
DO NOT SCALE DRAWING..

Drawing Number  
**GF-326-0080**

**NOTE:**  
Dimensions in ( ) are in millimeters.



REVISIONS  
RELEASED *gib*  
SEP 18 1986

**ATTENTION**  
THIS DRAWING AND ITS ATTACHMENT, IF ANY, ARE PROPRIETARY TO CW INDUSTRIES AND DESCRIBE DESIGNS THAT ARE CONFIDENTIAL AND MUST NOT BE DISCLOSED UNLESS AUTHORIZED, IN WRITING, BY AN OFFICER OF CW INDUSTRIES.....

**CW INDUSTRIES**  
Southampton, Pa. 18966

TOLERANCES UNLESS OTHERWISE SPECIFIED:

2 Place decimal ± .010	METRIC
3 Place decimal ± .005	1 Place dec. ± .25MM
Angles . . . . . ± 1°	2 Place dec. ± .13MM

Made for: *CW1 XIRTEYS*

Drawn by: *N.M.* 9-17-86

Checker: *gib* 9/17/86

Eng. room: *gib* 9/17/86

SWITCH ASSEMBLY  
D.P.-D.T.

Division: SWITCH

Drawing Number: **GF-326-0080**