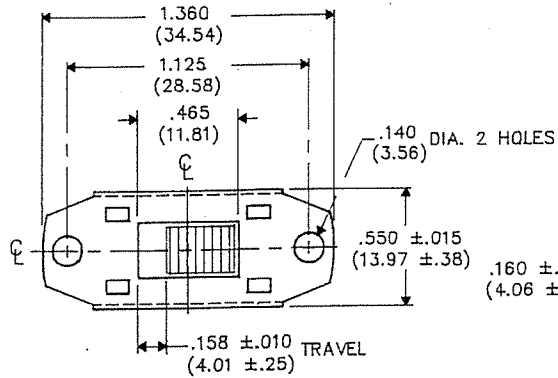
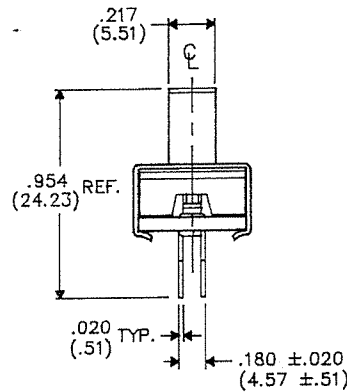
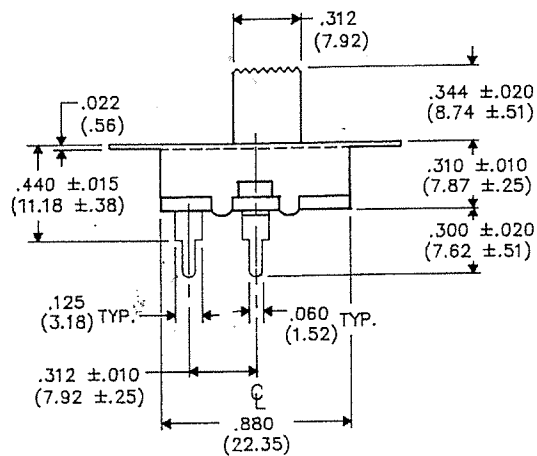
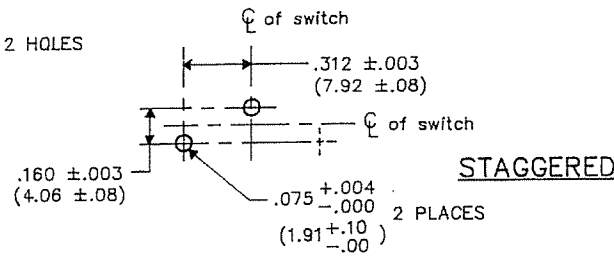


DIMENSIONS IN INCHES (MILLIMETERS)
DO NOT SCALE DRAWING...

Drawing No.
GF-323-0001



P.C. LAYOUT (TOP VIEW)



ATTENTION
THIS DRAWING AND ITS ATTACHMENT, IF ANY, ARE PROPRIETARY TO CW INDUSTRIES AND DESCRIBE DESIGNS THAT ARE CONFIDENTIAL AND MUST NOT BE DISCLOSED UNLESS AUTHORIZED, IN WRITING, BY AN OFFICER OF CW INDUSTRIES.....

B-FORM-0
REVISIONS
RELEASED
DCW 6-30-94
III 7 1994

CW INDUSTRIES
Southampton, Pa. 18966
TOLERANCES UNLESS OTHERWISE SPECIFIED
2 Place decimal (A0) METRIC
3 Place decimal (A005) 1/2 Place dec. ±.25 MM
Angles ±1° 1/2 Place dec. ±.13 MM
Made for CW IND.
Drawn by DGW 6-30-94
Checked by G. GULD 7-5-94
Approval 7-5-94

Title
SWITCH ASSEMBLY S.P.-S.T.
Division
SWITCH
Drawing No.
GF-323-0001