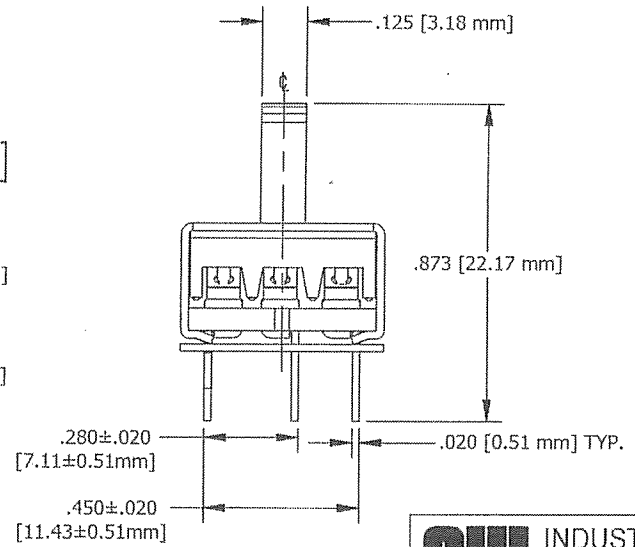
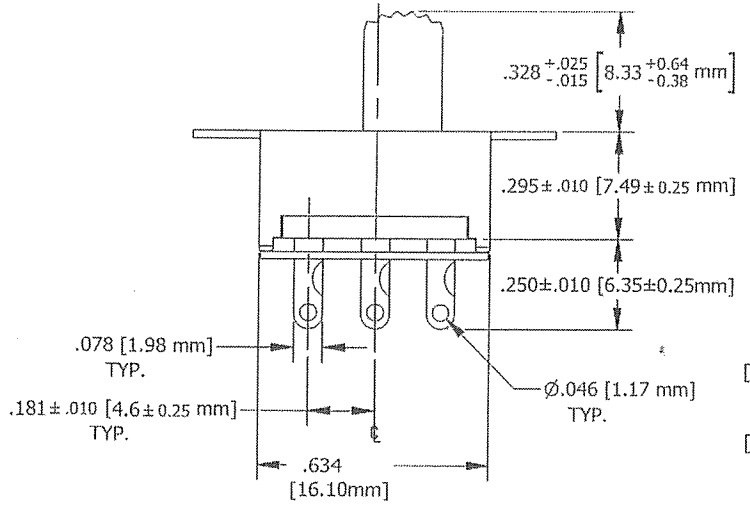
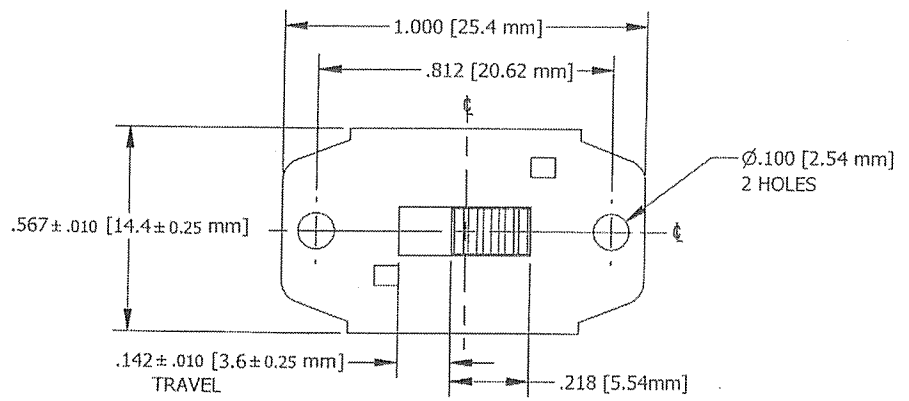


THIS INFORMATION IS CONFIDENTIAL AND PROPRIETARY TO CW INDUSTRIES INCORPORATED AND ITS AFFILIATES. IT MAY NOT BE DISCLOSED TO ANYONE OTHER THAN CW INDUSTRIES PERSONNEL, WITHOUT WRITTEN AUTHORIZATION FROM CW INDUSTRIES INCORPORATED, SOUTHAMPTON, PENNSYLVANIA, USA.

DIMENSIONS IN INCHES (MILLIMETERS)  
DO NOT SCALE DRAWING

REVISIONS	0	NEW	MAR 03 2017
	1	3/11/17	DGW 2-15-17



**CW INDUSTRIES**  
Southampton, Pa. 18986

Title: SWIDGET ASSEMBLY  
3 P/D.T.

TOLERANCES UNLESS OTHERWISE SPECIFIED  
2 Place Decimal ± .010 METRIC  
3 Place Decimal ± .005 1 Place Dec. ± .25mm  
Angles ± 1' 2 Place Dec. ± .13mm

Made for: CWININD.  
Drawn by: DGW 2-15-17  
Checked by: G. Guld 2-28-17  
Approved: C. Heiser 3/11/17

Division: SWITCH  
Cwg. No. GF-161-0039

1 2 3 4 5 6 7 8 9 10

MASTER