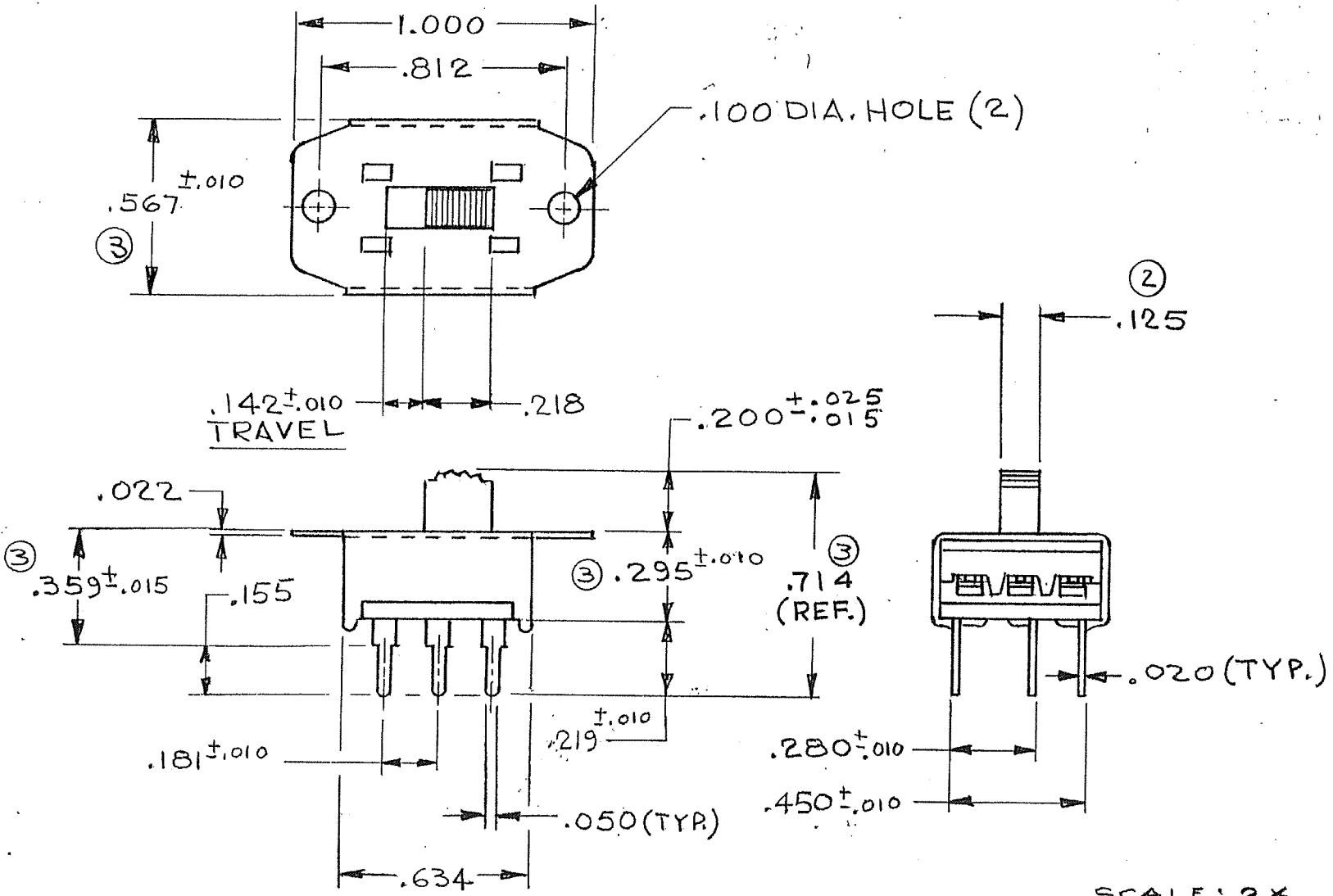


GF-161-0001



ATTENTION
THIS DRAWING AND ITS ATTACHMENTS, IF ANY, ARE
PROPRIETARY TO CW INDUSTRIES AND DESCRIBE
DESIGNS THAT ARE CONFIDENTIAL AND MUST NOT
BE DISCLOSED UNLESS AUTHORIZED, IN WRITING,
BY AN OFFICER OF CW INDUSTRIES.

SCALE: 2X
DIMENSIONS ARE IN INCHES. DO NOT SCALE DRAWING.

| REVISIONS | DATE AP. ENG. AP. | DESCRIPTION |
|-----------|----------------------|--|
| 0 | 4-10-73 | REDRAWN & REVISED 4-11-72 J.V. |
| 1 | | TOL. WAS .002 ADDED .125 J.V. 7-18-73 |
| 2 | | .359 WAS .349 .295 WAS .285 .714 WAS .704 .567 WAS .563 J.V. 11-9-73 |
| 3 | | NOV 12 1973 |

MASTER

PDF File Made

| | |
|--|--------|
| VARIATIONS ON FINISHED DIMENSIONS UNLESS OTHERWISE MARKED | |
| TOLERANCES UNLESS OTHERWISE SPECIFIED | |
| 2 PLACE DECIMAL | ± .010 |
| 3 PLACE DECIMAL | ± .005 |
| FRACTIONS | ± 1/64 |
| ANGULAR DIMENSIONS | ± 1/2° |

SWIDGET
3P-D.T.

FIRST MADE FOR CW
DRAWN BY J.V.
DATE DRAWN 4-10-72
CHECKED BY

CW INDUSTRIES
WARMINSTER, PA. 18974

GF-161-0001