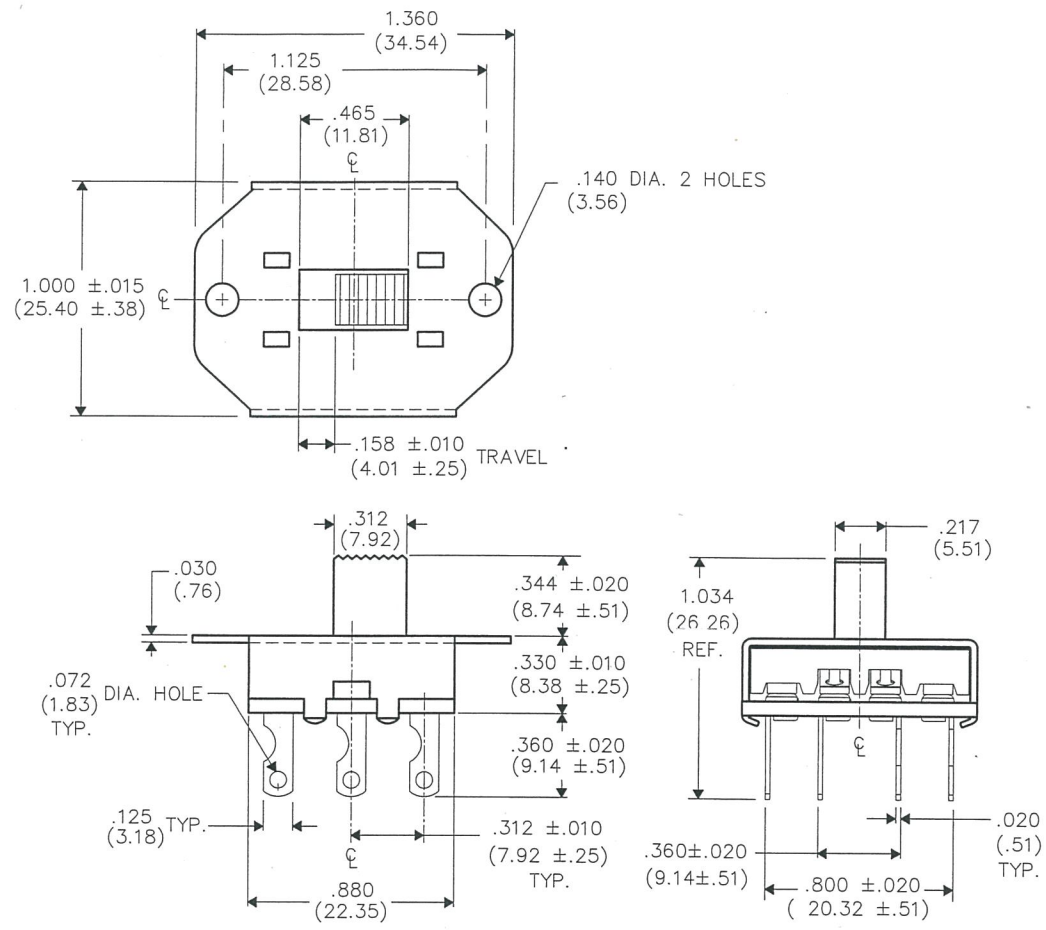


F
 D
 C
 B
 A

DIMENSIONS IN INCHES (MILLIMETERS)
DO NOT SCALE DRAWING

Dwg. No.
GF-1342-0000



1 2 3 4 5 6 7 8 9 10

B-FORMAT 2002
REVISIONS
 0
 RELEASED: DGW 1-20-2016
 JAN 25 2016

CW INDUSTRIES
Southampton, Pa. 18966

TOLERANCES UNLESS OTHERWISE SPECIFIED	
2 Place Decimal ±.010	METRIC
3 Place Decimal ±.005	1 Place Dec. ±.25mm
Angles ±1°	2 Place Dec. ±.13mm

Made for: CW IND.
 Drawn by: DGW 1-20-2016
 Checked by: *G. GULD* 1-21-16
 Approval: *G. GULD* 1-21-16

Title: **ASSEMBLY DRAWING SWITCH 4 POLE D.T.**

Division: **SWITCH**

Dwg. No. **GF-1342-0000**

MASTER