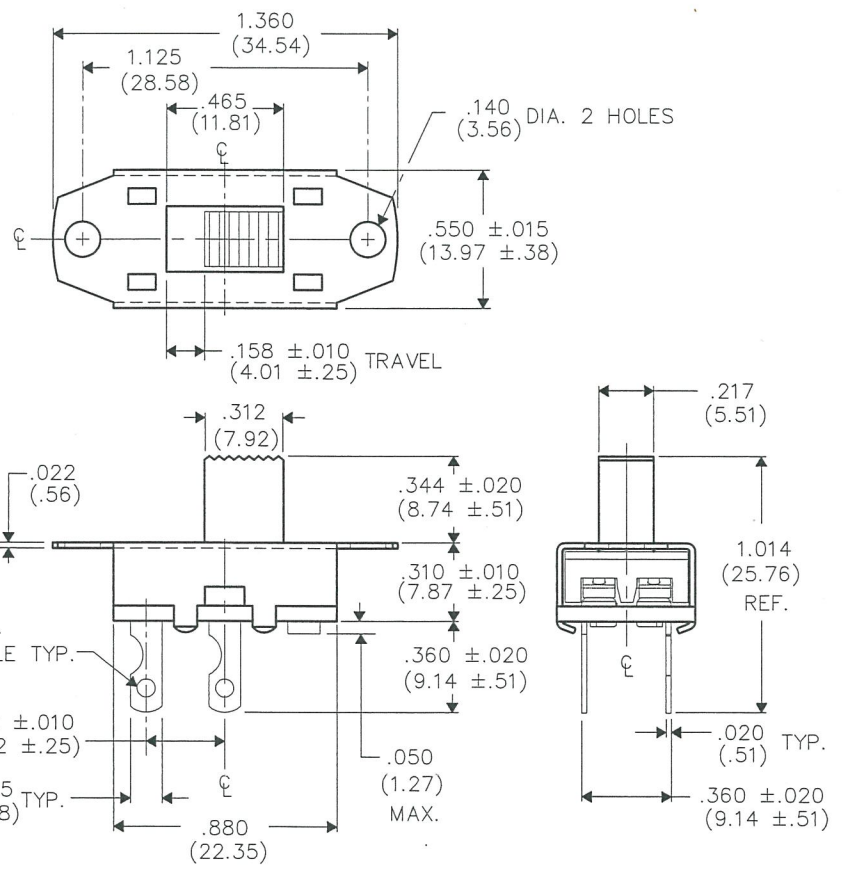


F
 D
 C
 B
 A

DIMENSIONS IN INCHES (MILLIMETERS)
 DO NOT SCALE DRAWING

Dwg. No.
GF-1325-0000



1 2 3 4 5 6 7 8 9 10

B-FORMAT 2002
REVISIONS

0
 RELEASED: 1-28-2016
 DGW JAN 28 2016

CW INDUSTRIES
 Southampton, Pa. 18966
 TOLERANCES UNLESS OTHERWISE SPECIFIED
 2 Place Decimal ±.010 METRIC
 3 Place Decimal ±.005 1 Place Dec. ±.25mm
 Angles ±1° 2 Place Dec. ±.13mm

Made for: CW IND.
 Drawn by: DGW 1-28-2016
 Checked by: *G. GULD 1-28-16*
 Approval: *G. GULD 1-28-16*

Title: **SLIDE SWITCH ASSEMBLY**
 D.P. - S.T.
 Division: **SWITCH**
 Dwg. No. **GF-1325-0000**

MASTER