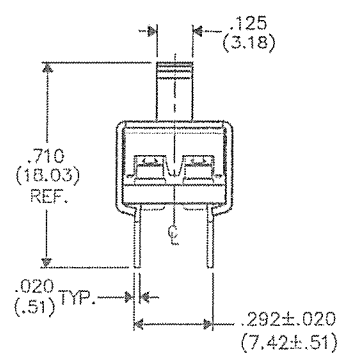
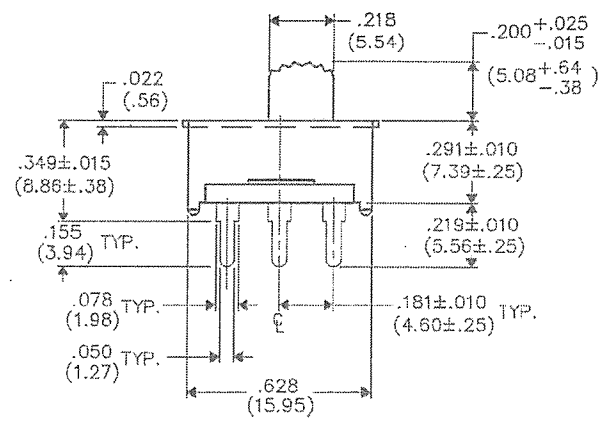
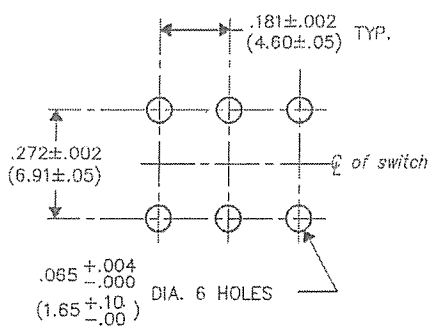
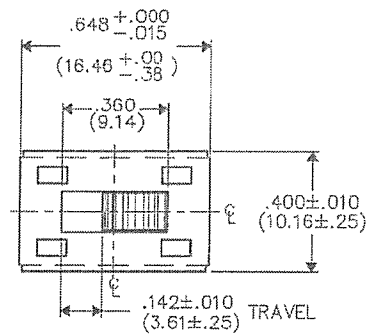


A
 B
 C
 D
 E

DIMENSIONS IN INCHES (MILLIMETERS)
DO NOT SCALE DRAWING

Dwg. No.
GF-126-0331

P.C. LAYOUT



MATERIAL:
 Actuator: Nylon 6/6, Color - Black, UL Flame: UL94-V2
 Housing: Cold Rolled Steel, Finish - Zinc Plated
 Base: NEMA XP, Color - Natural, UL Flame: UL94-HB
 Moving & Stationary Contacts/Terminals:
 Copper Alloy - Silver Plated

Ratings:
 3A 125 VAC
 0.5A 125 VDC
 UL, CSA Listed,

Specifications:
 Operating Temperature: -30°C - 104°C Max.
 Dielectric Strength: 1000 Volts
 Endurance: 6000 Cycles at rated load
 10000 Cycles Mechanical
 Contact Resistance: <50 milli-ohms (initial)
 Packaging: Bulk
 Moisture sensitivity level: Level 1
 Comparative tracking index: 180
 Country of origin: USA

1 2 3 4 5 6 7 8 9 10

B-FORMAT 2002	REVISIONS	1	Revised, Added Ratings & specs. DGW 1/22/2004 <i>[Signature]</i>

CW INDUSTRIES Southampton, Pa. 18966	
TOLERANCES UNLESS OTHERWISE SPECIFIED	
2 Place Decimal ±.010	METRIC
3 Place Decimal ±.005	1 Place Dec. ±.25mm
Angles ±1°	2 Place Dec. ±.13mm
Made for: CW IND.	Division: SWITCH
Drawn by: DGW 4-24-2003	Dwg. No. GF-126-0331
Checked by: <i>[Signature]</i> 1/23/04	
Approval: <i>[Signature]</i> 1/24/04	

Title: **MINIATURE SLIDE SWITCH ASSEMBLY D.P.- D.T.**

MASTER