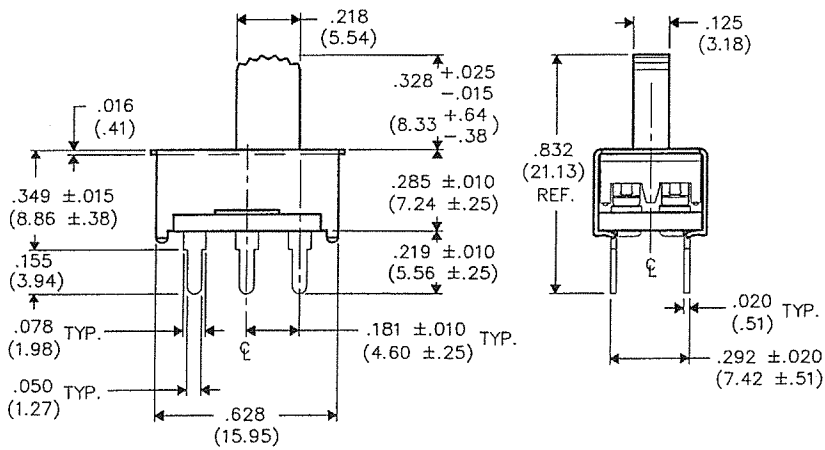
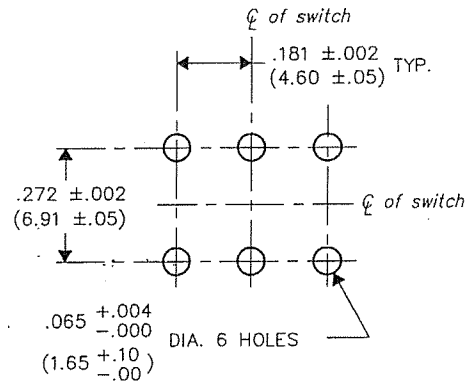
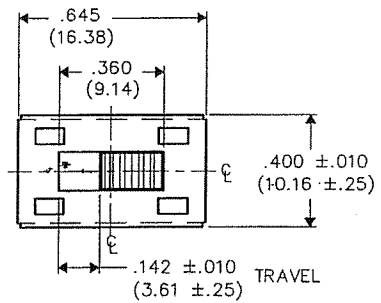


DIMENSIONS IN INCHES (MILLIMETERS)  
DO NOT SCALE DRAWING .....

Dwg. No.

GF-126-0020

P.C. LAYOUT



E  
D  
C  
B  
A

1 2 3 4 5 6 7 8 9 10

B-FORMAT 2002  
REVISIONS  
RELEASED: 11-16-2005  
Dwg. NOV 28 2005

**ATTENTION**  
THIS DRAWING AND ITS ATTACHMENTS, IF ANY, ARE PROPRIETARY TO CW INDUSTRIES AND DESCRIBE DESIGNS THAT ARE CONFIDENTIAL AND MUST NOT BE DISCLOSED UNLESS AUTHORIZED, IN WRITING, BY AN OFFICER OF CW INDUSTRIES.....

**CW INDUSTRIES**  
Southampton, Pa. 18966  
TOLERANCES UNLESS OTHERWISE SPECIFIED  
2 Place Decimal ±.010 METRIC  
3 Place Decimal ±.005 1 Place Dec. ±.25mm  
Angles ..... ±1' 2 Place Dec. ±.13mm  
Made for: CW IND.  
Drawn by: DGW 11-16-2005  
Checked by: G. Guld 11-21-05  
Approved: B. Ryan 11-21-05

Title: SWIDGET ASSEMBLY  
D.P.- D.T.  
RAD. KNURL  
Division: SWITCH  
Dwg. No. GF-126-0020

PDF File Made