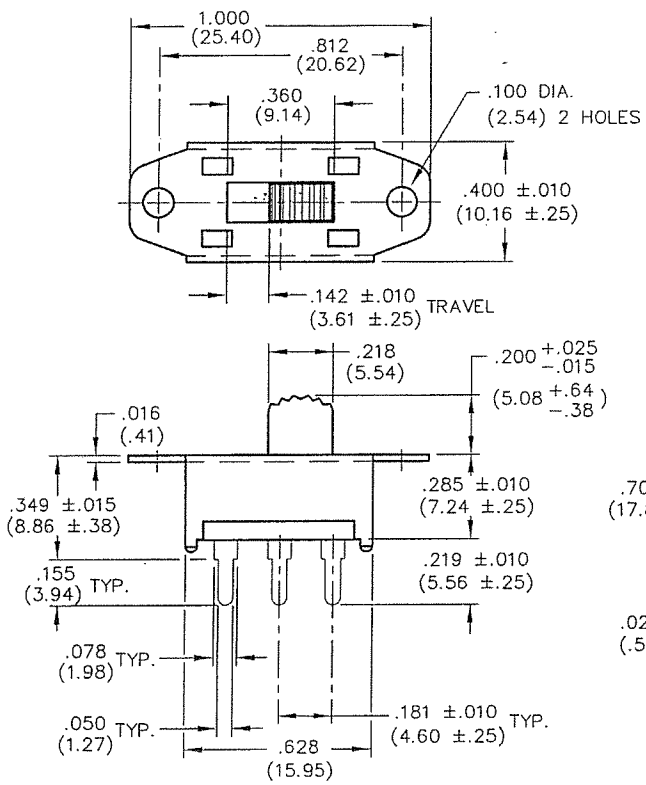


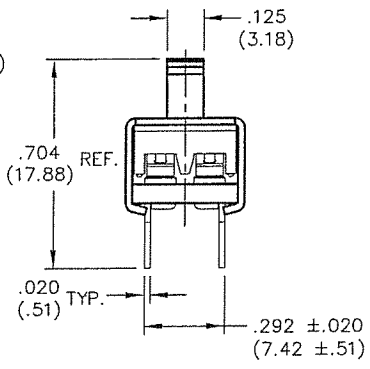
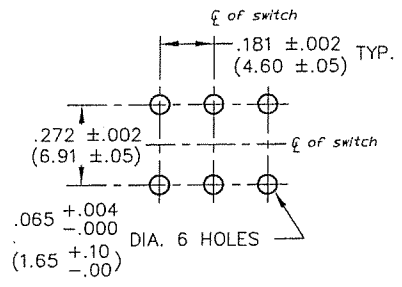
DIMENSIONS IN INCHES (MILLIMETERS)
DO NOT SCALE DRAWING

Dwg. No.
GF-126-0001

E
D
C
B
A



P.C. LAYOUT



1 2 3 4 5 6 7 8 9 10

FORM-B4
REVISIONS
 0
 RELEASED: 11-02-2005
 DGW NOV 28 2005

ATTENTION
 THIS DRAWING AND ITS ATTACHMENTS, IF ANY, ARE PROPRIETARY TO CW INDUSTRIES AND DESCRIBE DESIGNS THAT ARE CONFIDENTIAL AND MUST NOT BE DISCLOSED UNLESS AUTHORIZED, IN WRITING, BY AN OFFICER OF CW INDUSTRIES.....

CW INDUSTRIES
 Southampton, Pa. 18966

TOLERANCES UNLESS OTHERWISE SPECIFIED	
2 Place Decimal ±.010	METRIC
3 Place Decimal ±.005	1 Place Dec. ±.25mm
Angles ±1°	2 Place Dec. ±.13mm

Made for: CW IND.
 Drawn by: DGW 11-02-2005
 Checked by: *A. Gold 11-21-05*
 Approved: *D. Blayman 11-21-05*

Title: **MINI-SLIDE SWITCH ASSEMBLY DP/DT**

Division: **SWITCH**

Dwg. No. **GF-126-0001**