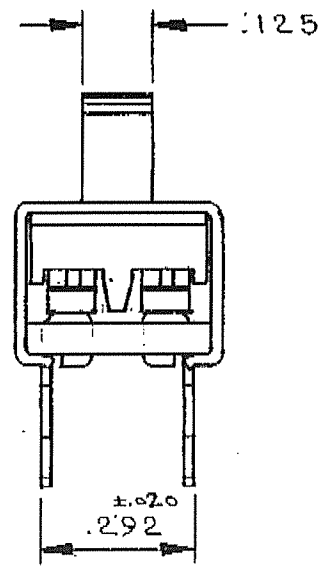


ATTENTION  
 THIS DRAWING AND ITS ATTACHMENTS, IF ANY, ARE PROPRIETARY TO CW INDUSTRIES AND DESCRIBE DESIGNS THAT ARE CONFIDENTIAL AND MUST NOT BE DISCLOSED UNLESS AUTHORIZED, IN WRITING, BY AN OFFICER OF CW INDUSTRIES.....

GF-126-0000



ALL SCREW THREADS TO BE CLASS 2 FIT (AMERICAN STANDARDS) UNLESS OTHERWISE SPECIFIED. DIMENSIONS ARE IN INCHES. DO NOT SCALE DRAWING.

REVISIONS	0	6	7	8	9	10	11
ENG. AP.							
DESIGNER							
DATE							
REVISED TERMS							
GF-126-0000 HAS G-126							
RS-8-7-70							
.735 WAS 743							
4.025 WAS 3.000							
3-11-73							
MADE IN 6							
DELETED .300±.010							
ADDED .285±.010							
REF. WAS 5.1020							
J.V. 7-17-73							
ADDED .142 TRAVEL,							
.046 DIA., .078,							
.250							
J.V. 8-28-73							

PDF File Made	VARIATIONS ON FINISHED DIMENSIONS UNLESS OTHERWISE MARKED			SUB-MINIATURE SWITCH ASS'Y
	BASIC DIMENSIONS	FRACTIONAL DIMENSIONS	DECIMAL DIMENSIONS	
	UP TO 6	± 1/64	± .005	
	ABOVE 6 TO 24	± 1/32	± .010	
ABOVE 24	± 1/16	± .015		
ANGULAR DIMENSIONS			± 1/2°	
Continental-Wirt Electronics Corp. PHILA., PA. 19144				FIRST MADE FOR CW DRAWN BY P. Corbett CHECKED BY J.M.V.
				GF-126-0000