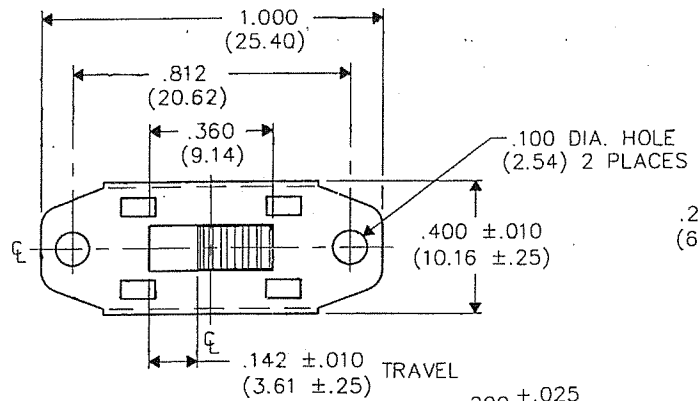
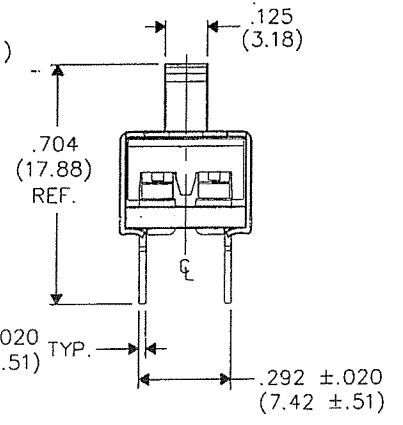
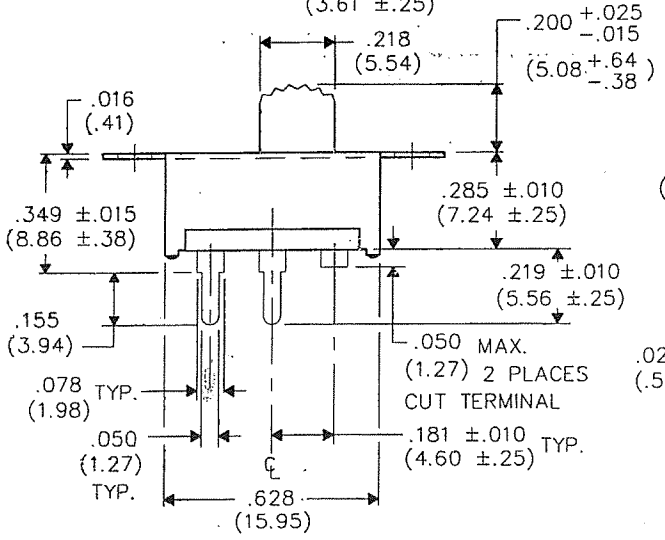
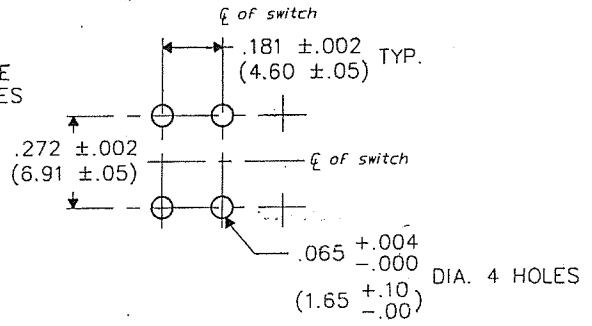


DIMENSIONS IN INCHES (MILLIMETERS)
DO NOT SCALE DRAWING

Dwg. No.
GF-125-0001



P.C. LAYOUT



E
D
C
B
A

1 2 3 4 5 6 7 8 9 10

FORM-B4

REVISIONS

RELEASED
DGW 12-08-2000

ATTENTION
THIS DRAWING AND ITS ATTACHMENTS, IF ANY, ARE PROPRIETARY TO CW INDUSTRIES AND DESCRIBE DESIGNS THAT ARE CONFIDENTIAL AND MUST NOT BE DISCLOSED UNLESS AUTHORIZED, IN WRITING, BY AN OFFICER OF CW INDUSTRIES.

CW INDUSTRIES
Southampton, Pa. 18966

TOLERANCES UNLESS OTHERWISE SPECIFIED
2 Place Decimal ±.010 METRIC
3 Place Decimal ±.005 1 Place Dec. ±.25mm
Angles ±1' 2 Place Dec. ±.13mm

Made for: CW IND.
Drawn by: DGW 12-08-2000
Checked by: *G. Gula 12-12-00*
Approved: *A. K. Sullivan 12-14-00*

Title: MINI SWITCH D.P./S.T.

Division: SWITCH
Dwg. No. GF-125-0001