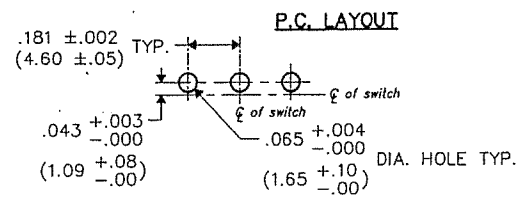
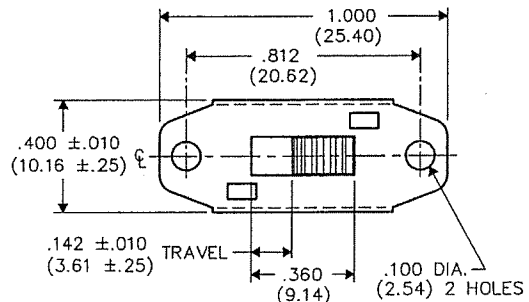
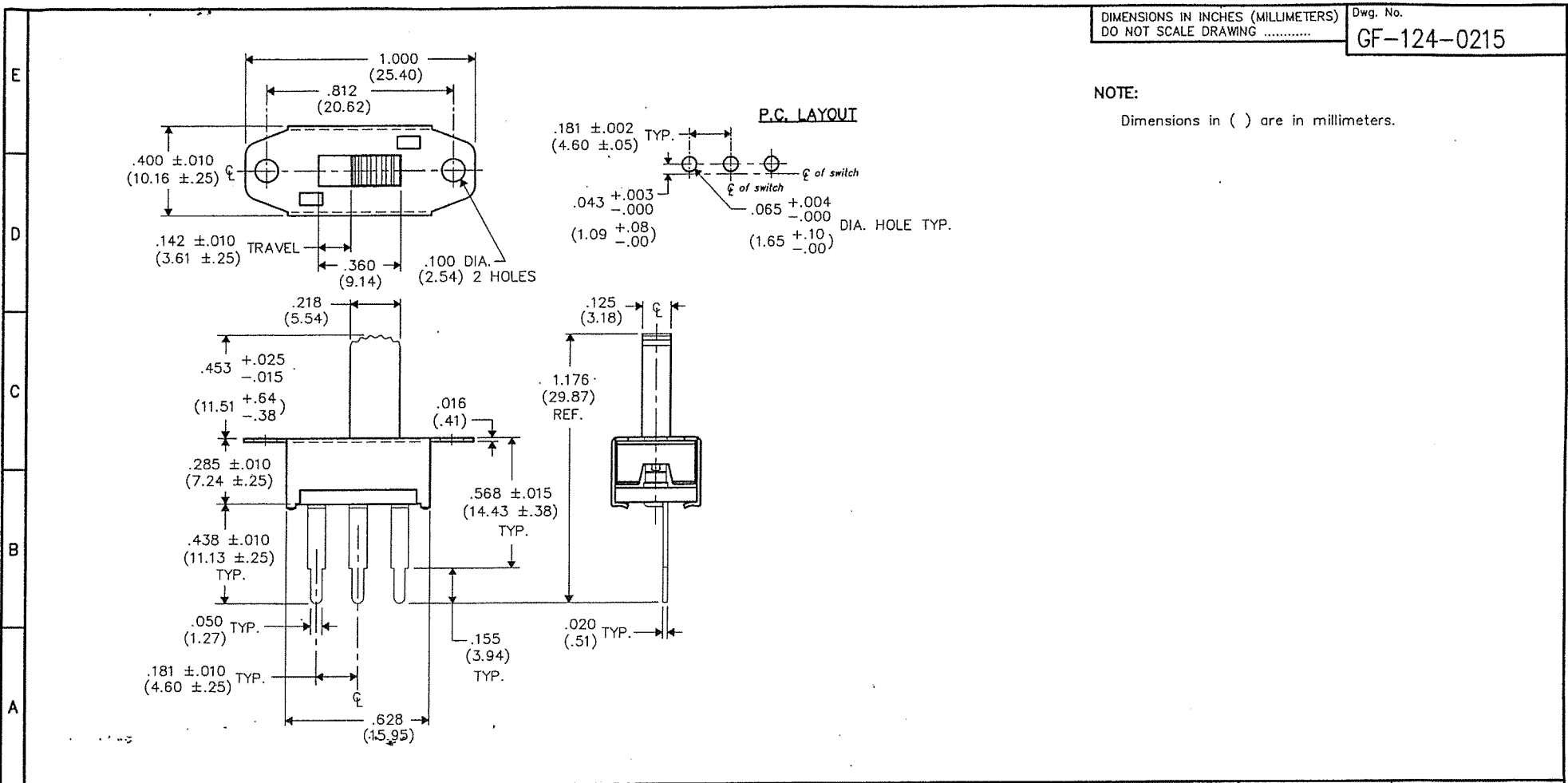
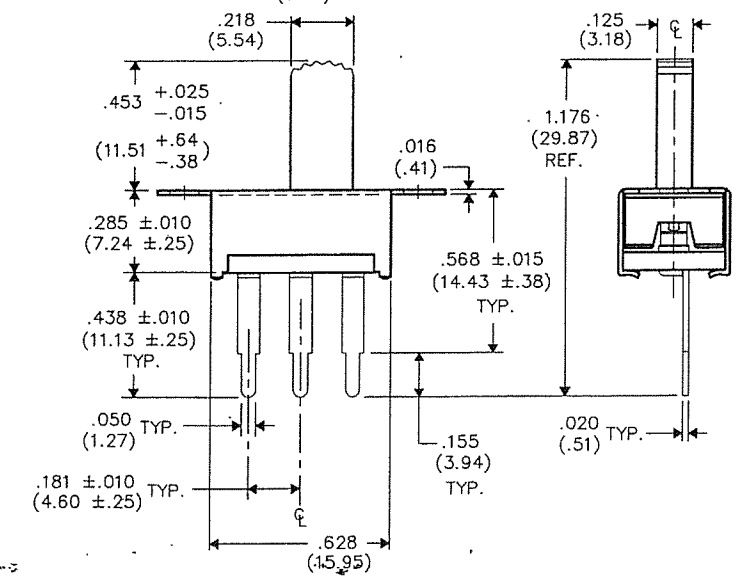


DIMENSIONS IN INCHES (MILLIMETERS)  
DO NOT SCALE DRAWING .....

Dwg. No.  
**GF-124-0215**



NOTE:  
Dimensions in ( ) are in millimeters.



**ATTENTION**  
THIS DRAWING AND ITS ATTACHMENTS, IF ANY, ARE PROPRIETARY TO CW INDUSTRIES AND DESCRIBE DESIGNS THAT ARE CONFIDENTIAL AND MUST NOT BE DISCLOSED UNLESS AUTHORIZED, IN WRITING, BY AN OFFICER OF CW INDUSTRIES.....

**CW INDUSTRIES**  
Southampton, Pa. 18966  
TOLERANCES UNLESS OTHERWISE SPECIFIED  
2 Place Decimal ±.010 METRIC  
3 Place Decimal ±.005 1 Place Dec. ±.25mm  
Angles ..... ±1° 2 Place Dec. ±.13mm

Title: **SWIDGET ASSEMBLY S.P.- D.T.3**

Made for: CW IND.  
Drawn by: DGW 10/31/2005  
Checked by: G. Guld 11-21-05  
Approval: P. Kelly 11-28-05

Division: **SWITCH**  
Dwg. No. **GF-124-0215**

FORM-B4  
REVISIONS  
0  
RELEASED: DGW 10/31/2005  
NOV 28 2005