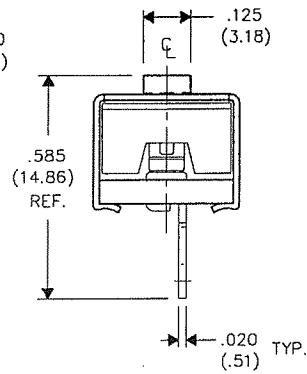
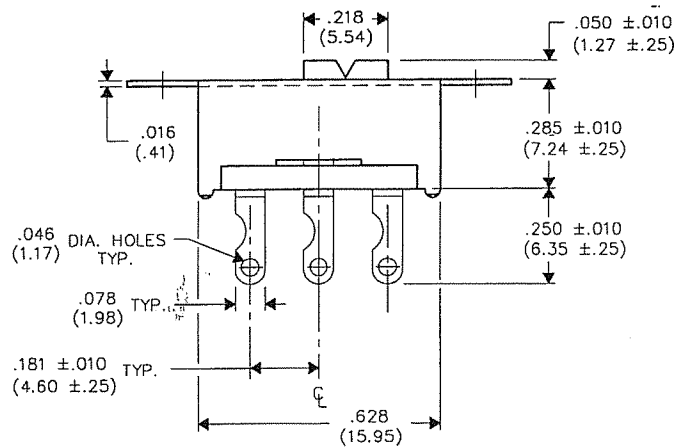
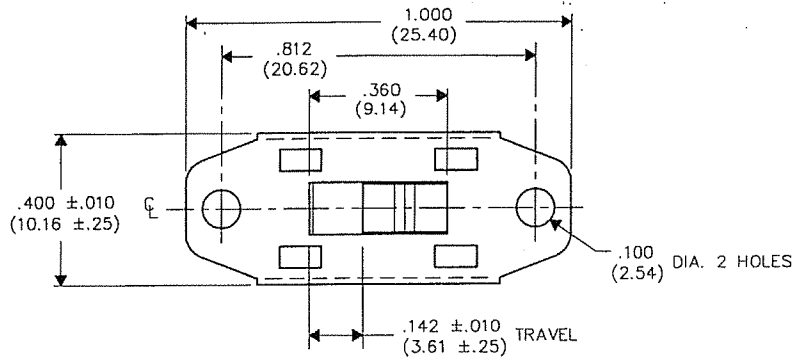


DIMENSIONS IN INCHES (MILLIMETERS)  
DO NOT SCALE DRAWING .....

Dwg. No.

GF-124-0198



FORM-B2

REVISIONS

0	
RELEASED:	DCW 3-28-96
	APR 1 - 1996

**ATTENTION**  
THIS DRAWING AND ITS ATTACHMENTS, IF ANY, ARE PROPRIETARY TO CW INDUSTRIES AND DESCRIBE DESIGNS THAT ARE CONFIDENTIAL AND MUST NOT BE DISCLOSED UNLESS AUTHORIZED, IN WRITING, BY AN OFFICER OF CW INDUSTRIES.....

(PDF File Made)  
ID. No: SAF0221A

<b>CW INDUSTRIES</b> Southampton, Pa. 18966	
TOLERANCES UNLESS OTHERWISE SPECIFIED	
2 Place Decimal ±.010	METRIC
3 Place Decimal ±.005	1 Place Dec. ±.25mm
Angles ..... ±1'	2 Place Dec. ±.13mm
Made for:	CW IND.
Drawn by:	DGW 3-28-96
Checked by:	GREG GULB 4-1-96
Approval:	[Signature] 4-1-96

Title:	SWIDGET ASSEMBLY S.P. - D.T. W/"V" SLOT
Division:	SWITCH
Dwg. No.	GF-124-0198