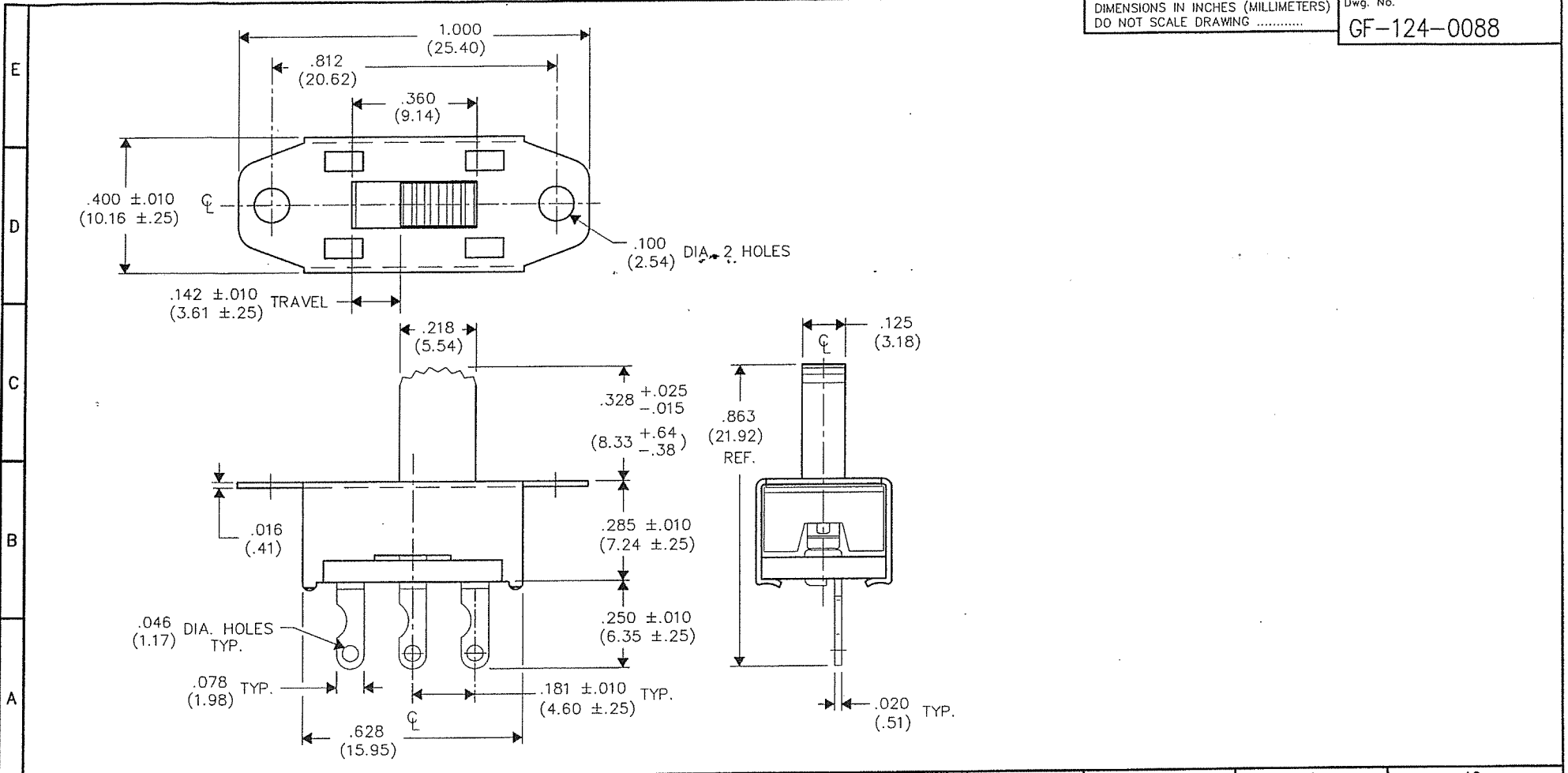


DIMENSIONS IN INCHES (MILLIMETERS)  
DO NOT SCALE DRAWING .....

Dwg. No.  
**GF-124-0088**



1 2 3 4 5 6 7 8 9 10

B-FORMAT 2002 <b>REVISIONS</b> RELEASED: DGW 9-07-2005 SEP 14 2005	<b>ATTENTION</b> THIS DRAWING AND ITS ATTACHMENTS, IF ANY, ARE PROPRIETARY TO CW INDUSTRIES AND DESCRIBE DESIGNS THAT ARE CONFIDENTIAL AND MUST NOT BE DISCLOSED UNLESS AUTHORIZED, IN WRITING, BY AN OFFICER OF CW INDUSTRIES.....		<b>CW INDUSTRIES</b> Southampton, Pa. 18966 TOLERANCES UNLESS OTHERWISE SPECIFIED 2 Place Decimal $\pm .010$ METRIC 3 Place Decimal $\pm .005$ 1 Place Dec. $\pm .25$ mm Angles ..... $\pm 1'$ 2 Place Dec. $\pm .13$ mm Made for: CW IND. Drawn by: DGW 9-07-2005 Checked by: <i>B. Gold</i> 9-12-05 Approval: <i>A. Schyman</i> 8-12-05	Title: <b>MINI-SLIDE SWITCH ASSEMBLY S.P./D.T.</b>
				Division: <b>SWITCH</b>
				Dwg. No. <b>GF-124-0088</b>