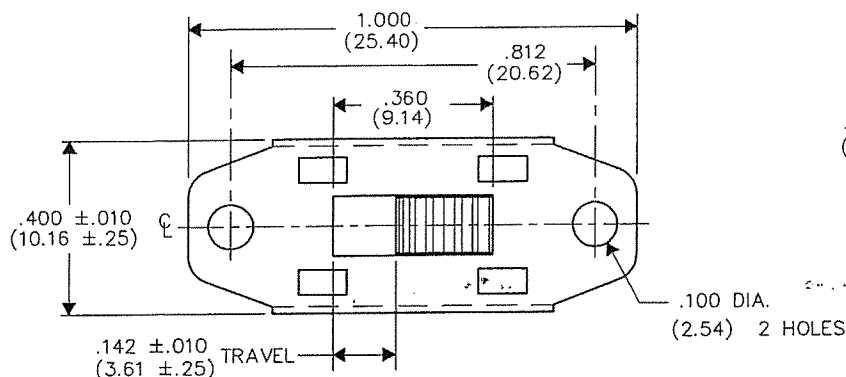


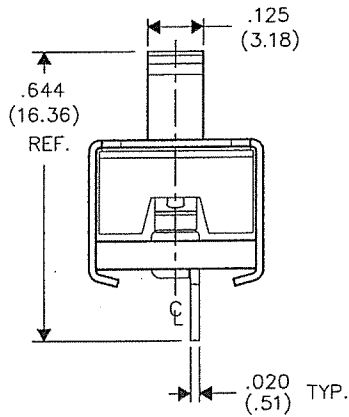
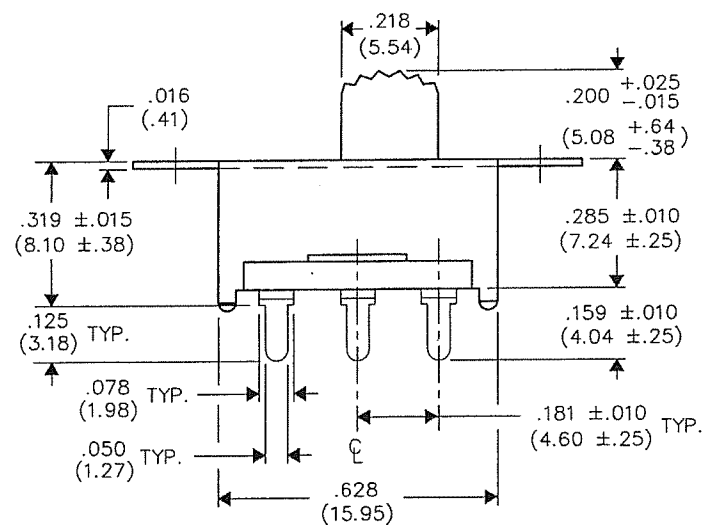
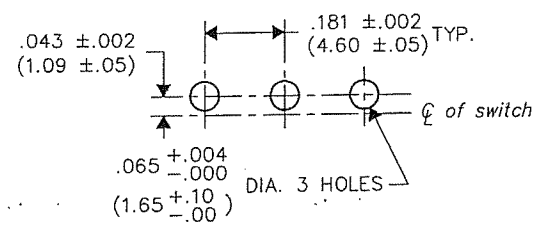
DIMENSIONS IN INCHES (MILLIMETERS)
DO NOT SCALE DRAWING

Dwg. No.
GF-124-0082

E
D
C
B
A



P.C. LAYOUT



B-FORMAT 2002	REVISIONS
	0
	RELEASED: DGW 4-24-2008 APR 24 2008

ATTENTION

THIS DRAWING AND ITS ATTACHMENTS, IF ANY, ARE PROPRIETARY TO CW INDUSTRIES AND DESCRIBE DESIGNS THAT ARE CONFIDENTIAL AND MUST NOT BE DISCLOSED UNLESS AUTHORIZED, IN WRITING, BY AN OFFICER OF CW INDUSTRIES.....

PDF FILE MADE	CW INDUSTRIES Southampton, Pa. 18966	Title: MINI SLIDE SWITCH S.P./D.T.	
	TOLERANCES UNLESS OTHERWISE SPECIFIED		
	2 Place Decimal ±.010 METRIC		1 Place Dec. ±.25mm
	3 Place Decimal ±.005		2 Place Dec. ±.13mm
Made for: CW IND.		Division: SWITCH	
Drawn by: DGW 4-24-2008		Dwg. No. GF-124-0082	
Checked by: G.Guld 4-24-08			
Approval: G.Guld 4-24-08			

MASTER