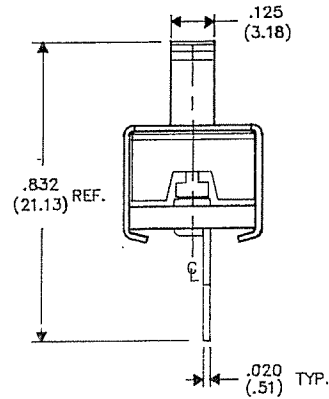
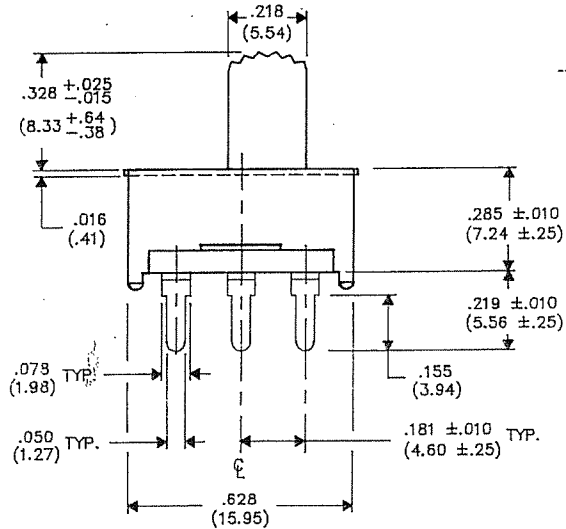
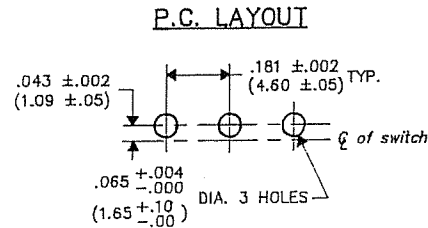
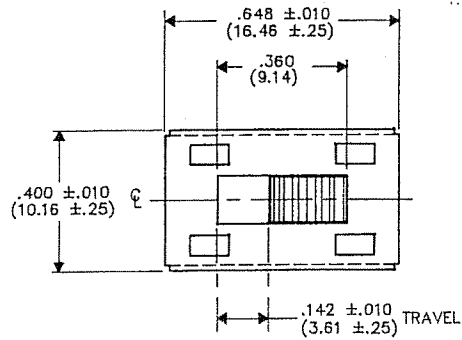


DIMENSIONS IN INCHES (MILLIMETERS)
DO NOT SCALE DRAWING.

Drawing No
GF-124-0069



B - FORM 0
REVISIONS
RELEASED
DGW 1-20-94

ATTENTION
THIS DRAWING AND ITS ATTACHMENTS, IF ANY, ARE PROPRIETARY TO CW INDUSTRIES AND DESCRIBE DESIGNS THAT ARE CONFIDENTIAL AND MUST NOT BE DISCLOSED UNLESS AUTHORIZED, IN WRITING, BY AN OFFICER OF CW INDUSTRIES.....

CW INDUSTRIES Southampton, Pa. 18966	
TOLERANCES UNLESS OTHERWISE SPECIFIED	
2 Place decimal ±.010	METRIC
3 Place decimal ±.005	1 Place dec. ± .25 MM
Angles 1°	2 Place dec. ± .13 MM
Made for	CW IND.
Drawn by:	DGW 1-20-94
Checked by:	G. GULI 1-21-94
Approval:	1-21-94

Title	SWIDGET ASSEMBLY S.P.- D.T. ROUND KNURL
Division	SWITCH
Drawing No	GF-124-0069