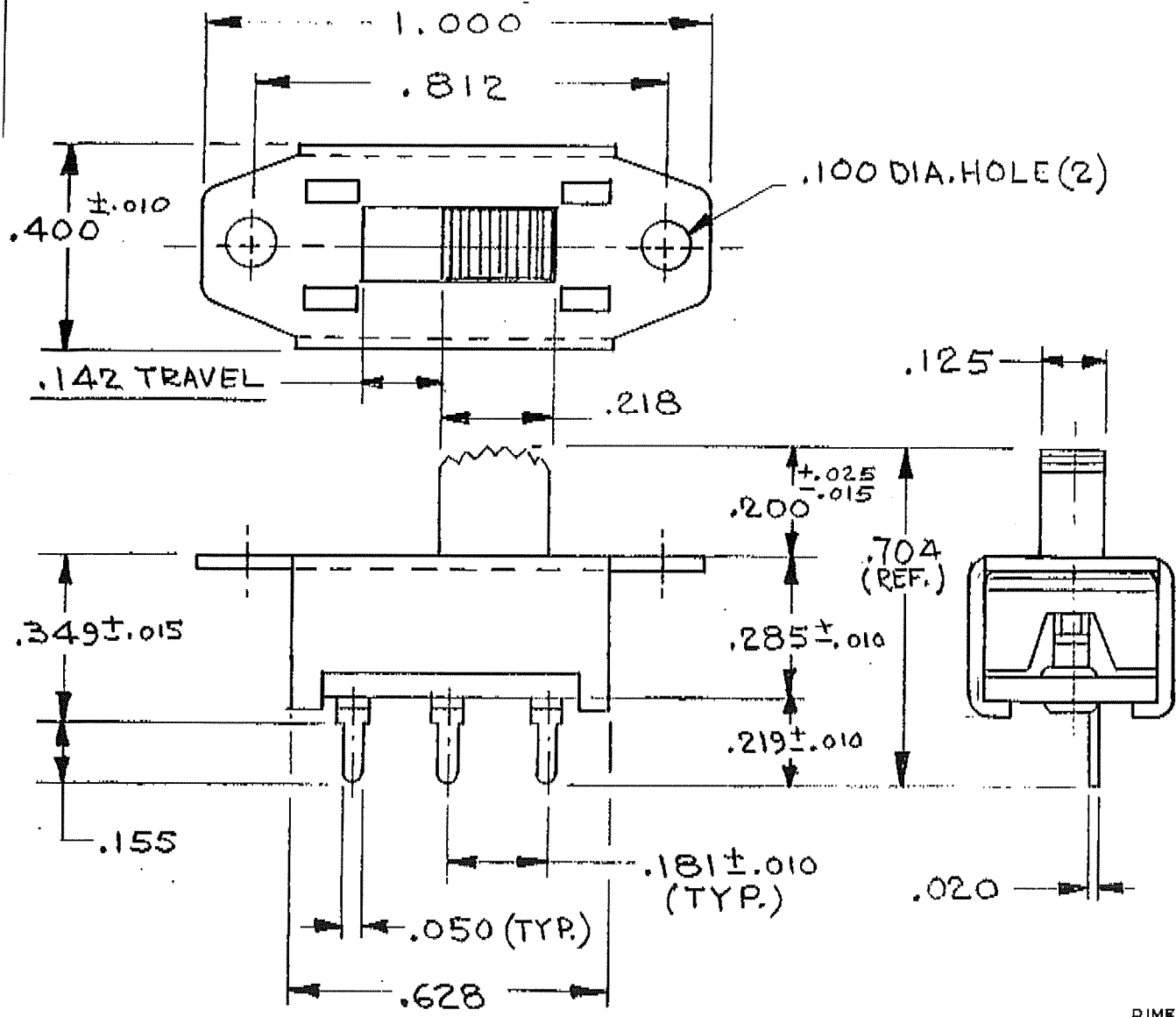


GF-124-0013



.100 DIA. HOLE (2)

**ATTENTION**  
 THIS DRAWING AND ITS ATTACHMENTS, IF ANY, ARE PROPRIETARY TO CW INDUSTRIES AND DESCRIBE DESIGNS THAT ARE CONFIDENTIAL AND MUST NOT BE DISCLOSED UNLESS AUTHORIZED, IN WRITING, BY AN OFFICER OF CW INDUSTRIES.....

DIMENSIONS ARE IN INCHES. DO NOT SCALE DRAWING.

REVISIONS  
 DATE AP.  
 ENG. AP.

VARIATIONS ON FINISHED DIMENSIONS UNLESS OTHERWISE MARKED	
TOLERANCES UNLESS OTHERWISE SPECIFIED	
2 PLACE DECIMAL	± .010
3 PLACE DECIMAL	± .005
FRACTIONS	± 1/64
ANGULAR DIMENSIONS	± 1/2°

**SWIDGET**  
**S.P. - D.T.**

FIRST MADE FOR ELECTRIC SWITCHES  
 DRAWN BY J.V.  
 DATE DRAWN 5-27-73  
 CHECKED BY

PDF File Made

**CW INDUSTRIES**  
 WARMINSTER, PA. 18974

GF-124-0013