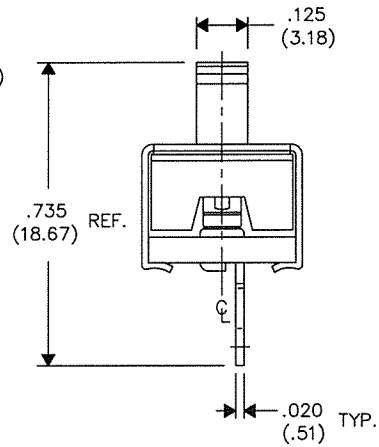
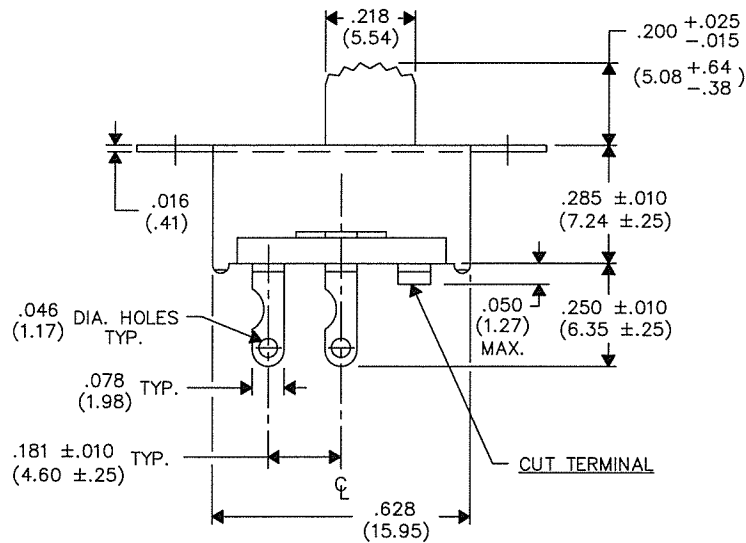
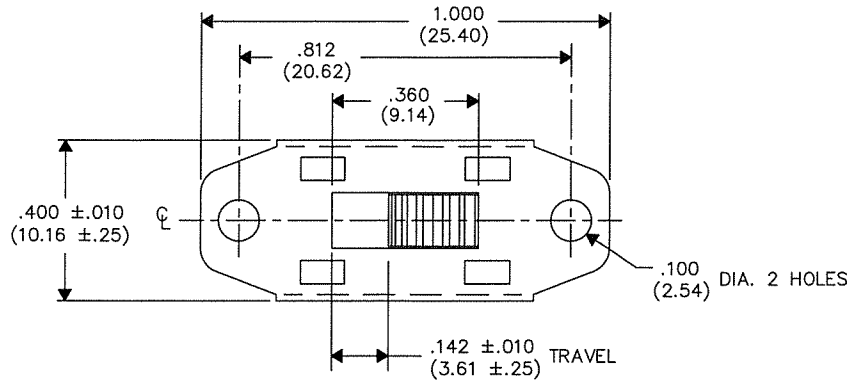


DIMENSIONS IN INCHES (MILLIMETERS)
DO NOT SCALE DRAWING

Dwg. No.
GF-123-3011



1 2 3 4 5 6 7 8 9 10

B-FORMAT 2002

REVISIONS

0

RELEASED.
DGW 6-02-2003
June 04, 2003

ATTENTION
THIS DRAWING AND ITS ATTACHMENTS, IF ANY, ARE PROPRIETARY TO CW INDUSTRIES AND DESCRIBE DESIGNS THAT ARE CONFIDENTIAL AND MUST NOT BE DISCLOSED UNLESS AUTHORIZED, IN WRITING, BY AN OFFICER OF CW INDUSTRIES.....

CW INDUSTRIES
Southampton, Pa. 18966

TOLERANCES UNLESS OTHERWISE SPECIFIED
2 Place Decimal ±.010 METRIC
3 Place Decimal ±.005 1 Place Dec. ±.25mm
Angles ±1° 2 Place Dec. ±.13mm

Title:
MINI - SLIDE SWITCH
S.P.- S.T.

Made for: CW IND.
Drawn by: DGW 6-02-2003
Checked by: GG 6-3-03
Approval: BF 6-4-3

Division:
SWITCH
Dwg. No.
GF-123-3011

PDF File Made