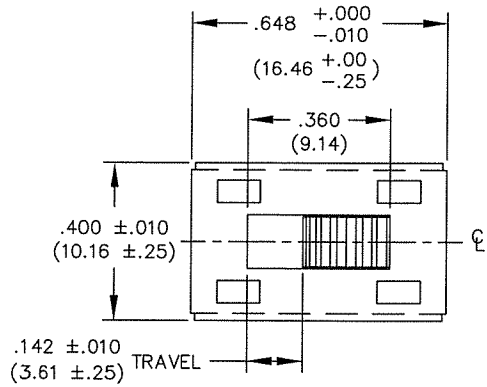
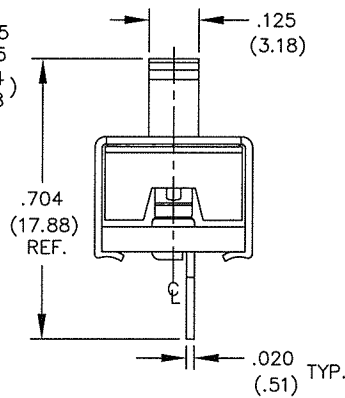
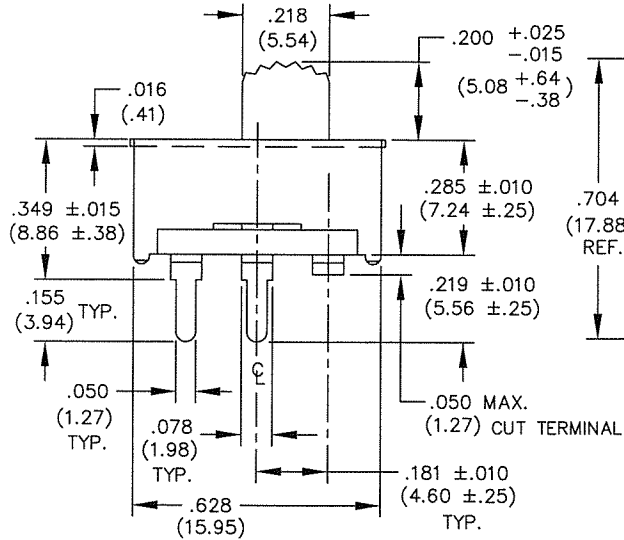
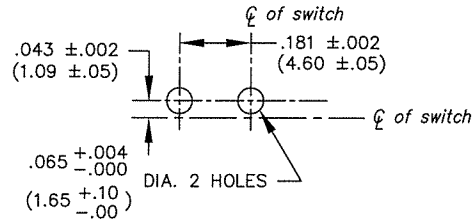


DIMENSIONS IN INCHES (MILLIMETERS)
DO NOT SCALE DRAWING

Dwg. No.
GF-123-0054



P.C. LAYOUT



1 2 3 4 5 6 7 8 9 10

B-FORMAT 2002

REVISIONS

0
RELEASED: 5-15-2003
DGW May 20, 2003

ATTENTION
THIS DRAWING AND ITS ATTACHMENTS, IF ANY, ARE PROPRIETARY TO CW INDUSTRIES AND DESCRIBE DESIGNS THAT ARE CONFIDENTIAL AND MUST NOT BE DISCLOSED UNLESS AUTHORIZED, IN WRITING, BY AN OFFICER OF CW INDUSTRIES.....

CW INDUSTRIES Southampton, Pa. 18966		Title: SWIDGET ASSEMBLY S.P.- S.T.	
TOLERANCES UNLESS OTHERWISE SPECIFIED			
2 Place Decimal ±.010	METRIC		
3 Place Decimal ±.005	1 Place Dec. ±.25mm		
Angles ±1'	2 Place Dec. ±.13mm		
Made for: CW IND.	Division: SWITCH		
Drawn by: DGW 5-15-2003	Dwg. No. GF-123-0054		
Checked by: GG 5-20-03			
Approval: BF 5-20-3			