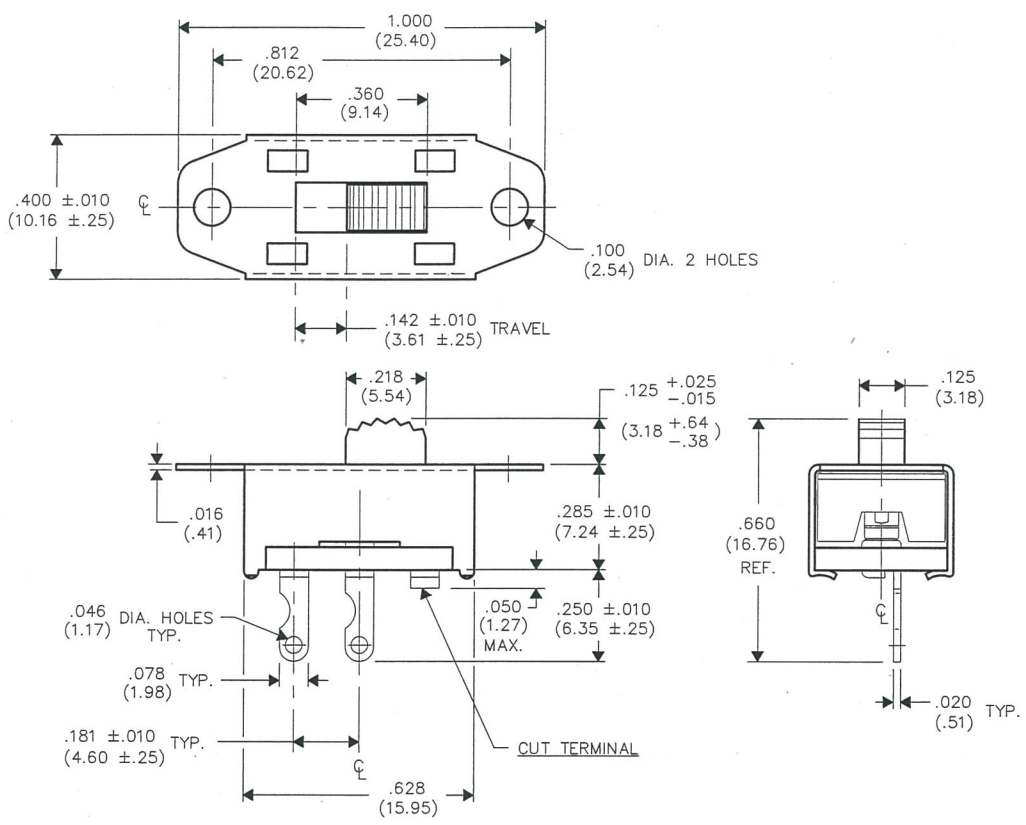


F
 D
 C
 B
 A

DIMENSIONS IN INCHES (MILLIMETERS)
 DO NOT SCALE DRAWING
 Dwg. No. **GF-123-0033**



1 2 3 4 5 6 7 8 9 10

B-FORMAT 2002
REVISIONS
 0
 RELEASED: DGW 2-01-2017
 FEB 03 2017

PDF MADE	CW INDUSTRIES Southampton, Pa. 18966 TOLERANCES UNLESS OTHERWISE SPECIFIED 2 Place Decimal ±.010 METRIC 3 Place Decimal ±.005 1 Place Dec. ±.25mm Angles ±1° 2 Place Dec. ±.13mm	Title: MINIATURE SLIDE SWITCH S.P.S.T.
	Made for: CW IND.	Division: SWITCH
	Drawn by: DGW 2-01-2017	Dwg. No.
	Checked by: <i>G.Guld 2-3-17</i> Approval: <i>G.Guld 2-3-17</i>	GF-123-0033

MASTER