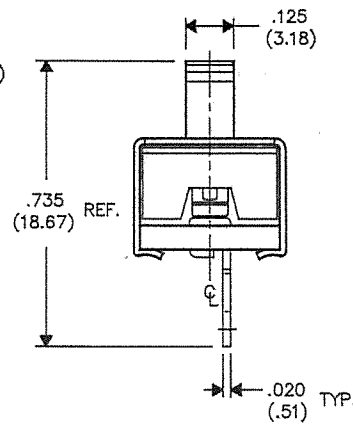
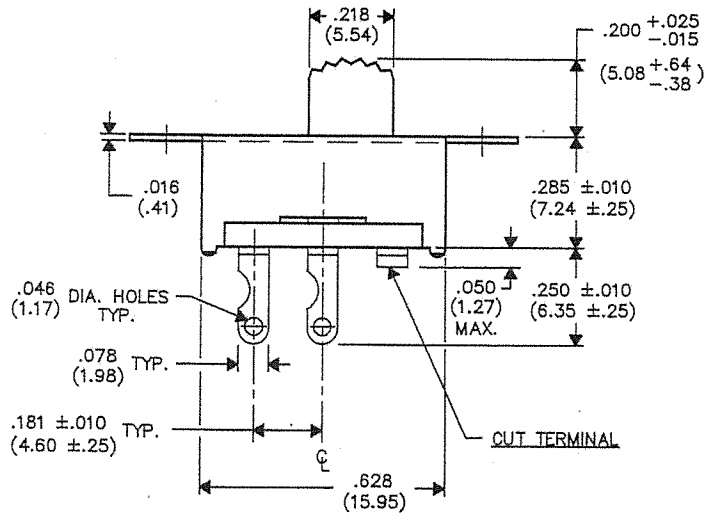
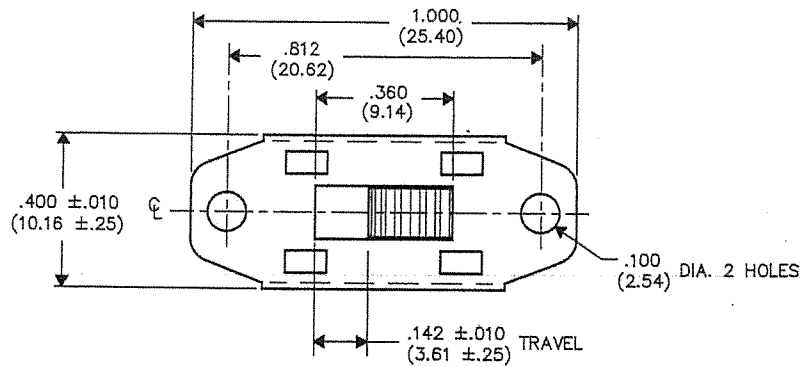


DIMENSIONS IN INCHES (MILLIMETERS)  
DO NOT SCALE DRAWING .....

Dwg. No.  
**GF-123-0000**



**MATERIAL:**  
 Button: Nylon 6/6, Color - Black  
 Housing: CRS - Zinc Plated  
 Moving & Stationary Contacts:  
 Copper Alloy - Silver Plated  
 Lubrication: Dry Film

**Ratings:**  
 UL Listed,  
 .5A AC DC 125 V

Operating Temp. Range: - 40°C to + 104°C

THIS INFORMATION IS CONFIDENTIAL AND PROPRIETARY TO CW INDUSTRIES INCORPORATED AND ITS AFFILIATES. IT MAY NOT BE DISCLOSED TO ANYONE, OTHER THAN CW INDUSTRIES PERSONNEL, WITHOUT WRITTEN AUTHORIZATION FROM CW INDUSTRIES INCORPORATED, SOUTHAMPTON, PENNSYLVANIA USA.

B-FORMAT 2002	<b>REVISIONS</b>											
	Updated & Redrawn. DGW 8/21/19	9									<b>CW INDUSTRIES</b> Southampton, Pa. 18966 <b>TOLERANCES UNLESS OTHERWISE SPECIFIED</b> 2 Place Decimal ±.010 METRIC 3 Place Decimal ±.005 1 Place Dec. ±.25mm Angles ..... ±1° 2 Place Dec. ±.13mm Made for: CW IND. Drawn by: DGW 8/21/19 Checked by: <i>[Signature]</i> 11/18/23 Approved: <i>[Signature]</i> 8/18/27	
	Redrawn. Added Lubrication & Operating Temp. Range. DGW 1/18/23	1										Title: <b>SLIDE SWITCH ASSEMBLY S.P. - S.T.</b> Division: <b>SWITCH</b> Dwg. No. <b>GF-123-0000</b>
	<i>[Signature]</i> 1 8 2023	2										

**MASTER**