

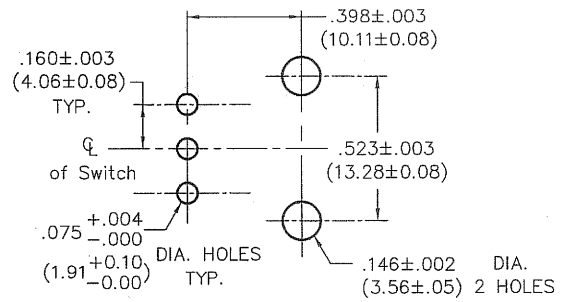
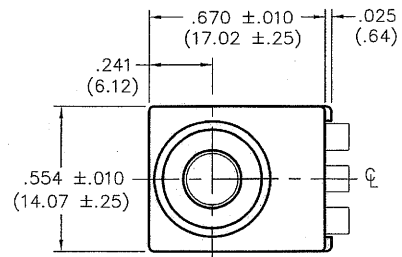
DIMENSIONS IN INCHES (MILLIMETERS)
DO NOT SCALE DRAWING

Dwg. No.
GC-536AQ-0110

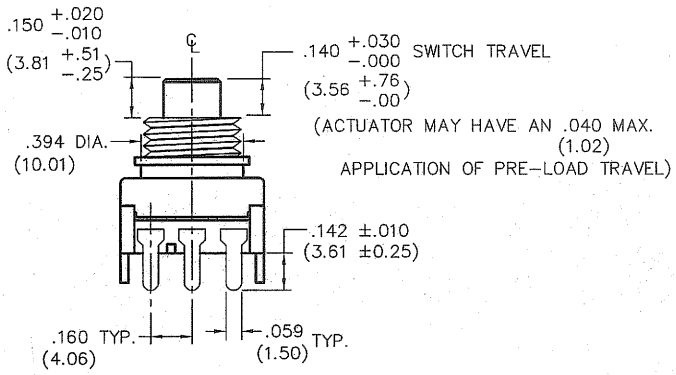
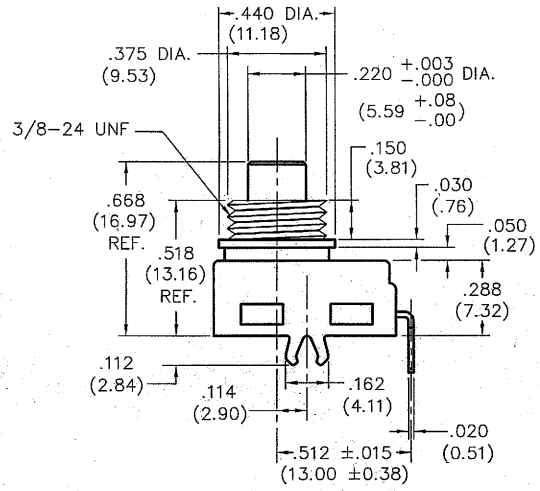
SPECIFICATIONS:

MATERIALS:

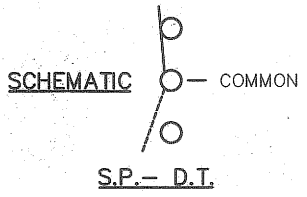
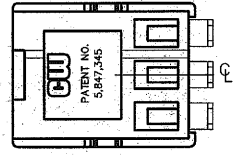
- HOUSING & BASE - Nylon and or Glass Filled
Nylon 6/6 UL 94-V2 minimum
- ACTUATOR - Nylon 6/6 UL 94-V2 minimum
- MOVING CONTACT - Copper Alloy/Phos. Bronze Silver Plated
- STATIONARY CONTACT - BeCu 174 Alloy, Silver Plated
- TERMINAL- Copper Alloy CDA 260, .100 Sn (min.) Over
.000050 Ni (min.)
- ELECTRICAL RATING - 1A. 125V.A.C.
3A. 14V.D.C.
- MECHANICAL PERFORMANCE - 30,000 Cycles minimum
at Rated Load.
- OPERATING FORCE - 9 - 13ozs.,
2.5 - 3.5 Newtons, Typical
- VOLTAGE DROP - Less than 100mV @ 1A.



P.C. LAYOUT



BOTTOM VIEW



F
D
C
B
A
 THIS INFORMATION IS CONFIDENTIAL AND PROPRIETARY TO CW INDUSTRIES, INCORPORATED AND ITS AFFILIATES. IT MAY NOT BE DISCLOSED TO ANYONE OTHER THAN CW INDUSTRIES PERSONNEL WITHOUT WRITTEN AUTHORIZATION FROM CW INDUSTRIES, INCORPORATED, SOUTHAMPTON, PENNSYLVANIA USA.

1	2	3	4	5	6	7	8	9	10
---	---	---	---	---	---	---	---	---	----

B-FORMAT 2002
REVISIONS
 RELEASED: 1-31-2012
 DGW
 FEB 01 2012

PDF MADE	CW INDUSTRIES Southampton, Pa. 18966	Title: SWITCH ASSEMBLY PUSH ON-PUSH OFF S.P./D.T. PCB QUIET VERSION						
	<small>TOLERANCES UNLESS OTHERWISE SPECIFIED</small>							
	<table border="0" style="width: 100%;"> <tr> <td>2 Place Decimal ±.010</td> <td style="text-align: center;">METRIC</td> </tr> <tr> <td>3 Place Decimal ±.005</td> <td>1 Place Dec. ±.25mm</td> </tr> <tr> <td>Angles ±1°</td> <td>2 Place Dec. ±.13mm</td> </tr> </table>	2 Place Decimal ±.010	METRIC	3 Place Decimal ±.005	1 Place Dec. ±.25mm	Angles ±1°	2 Place Dec. ±.13mm	
	2 Place Decimal ±.010	METRIC						
3 Place Decimal ±.005	1 Place Dec. ±.25mm							
Angles ±1°	2 Place Dec. ±.13mm							
Made for: CW IND. Drawn by: DGW 1-31-2012 Checked by: G. Guld 1-31-12 Approval: <i>[Signature]</i> 1/31/12	Division: SWITCH Dwg. No. GC-536AQ-0110							

MASTER