

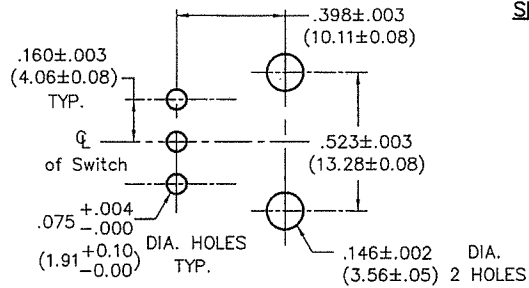
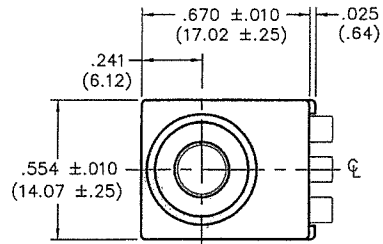
DIMENSIONS IN INCHES (MILLIMETERS)  
DO NOT SCALE DRAWING .....

Dwg. No.  
**GC-536A-0109**

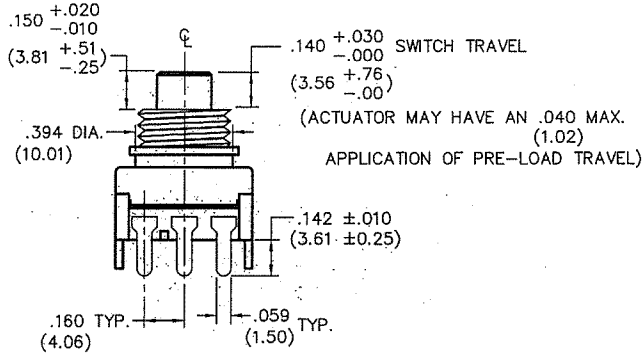
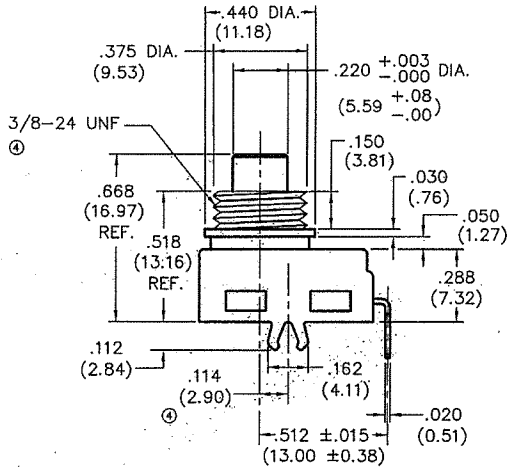
**SPECIFICATIONS:**

**MATERIALS:**

- HOUSING & BASE - Nylon and or Glass Filled  
Nylon 6/6 UL 94-V2 minimum
- ACTUATOR - Nylon 6/6 UL 94-V2 minimum
- MOVING CONTACT - Copper Alloy/Phos. Bronze Silver Plated
- STATIONARY CONTACT - BeCu 174 Alloy/75µin. Silver Plated
- TERMINAL- Copper Alloy CDA 260, .100 Sn (min.) Over  
.000050 Ni (min.)
- ELECTRICAL RATING - 1A. 125V.A.C.  
3A. 14V.D.C.
- MECHANICAL PERFORMANCE - 30,000 Cycles minimum  
at Rated Load.
- OPERATING FORCE - 16.5 - 23.7ozs.,  
4.6 - 6.6 Newtons,  
Spec. as Tested
- VOLTAGE DROP - Less than 100mV @ 1A.

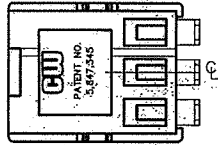


**P.C. LAYOUT**

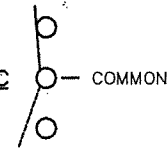


(ACTUATOR MAY HAVE AN .040 MAX. (1.02) APPLICATION OF PRE-LOAD TRAVEL)

**BOTTOM VIEW**



**SCHEMATIC**



S.P. - D.T.

E  
D  
C  
B  
A

1 2 3 4 5 6 7 8 9 10

B-FORMAT 2002

REVISIONS
4 REDRAWN, REMOVED .083 AND ADDED .114 AND 3/8 24 UNF TO DRAWING. DSW 8-01-2011 <i>DSW</i>

**ATTENTION**  
THIS DRAWING AND ITS ATTACHMENTS, IF ANY, ARE PROPRIETARY TO CW INDUSTRIES AND DESCRIBE DESIGNS THAT ARE CONFIDENTIAL AND MUST NOT BE DISCLOSED UNLESS AUTHORIZED, IN WRITING, BY AN OFFICER OF CW INDUSTRIES.....

<p>Southampton, Pa. 18966</p> <p>TOLERANCES UNLESS OTHERWISE SPECIFIED</p> <table border="1"> <tr> <td>2 Place Decimal ±.010</td> <td>METRIC</td> </tr> <tr> <td>3 Place Decimal ±.005</td> <td>1 Place Dec. ±.25mm</td> </tr> <tr> <td>Angles ..... ±1°</td> <td>2 Place Dec. ±.13mm</td> </tr> </table>	2 Place Decimal ±.010	METRIC	3 Place Decimal ±.005	1 Place Dec. ±.25mm	Angles ..... ±1°	2 Place Dec. ±.13mm	<p>Title: <b>SWITCH ASSY.</b> <b>PUSH ON-PUSH OFF</b> <b>S.P./D.T.</b> <b>PCB VERSION</b></p>
	2 Place Decimal ±.010	METRIC					
	3 Place Decimal ±.005	1 Place Dec. ±.25mm					
	Angles ..... ±1°	2 Place Dec. ±.13mm					
<p>Made for: CW IND.</p>	<p>Division: <b>SWITCH</b></p>						
<p>Drawn by: DGW 10-28-2002</p>	<p>Dwg. No. <b>GC-536A-0109</b></p>						
<p>Checked by: GG 10-28-02</p>							
<p>Approval: BF 10-28-02</p>							

**MASTER**