

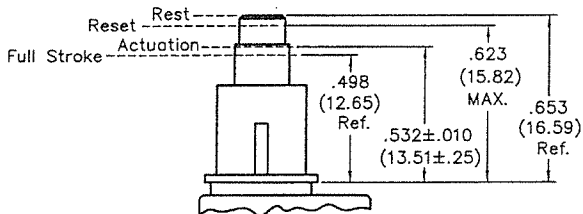
DIMENSIONS IN INCHES (MILLIMETERS)  
DO NOT SCALE DRAWING .....

Dwg. No.  
**GC-536-0215**

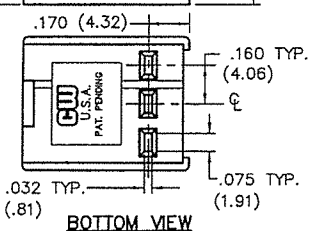
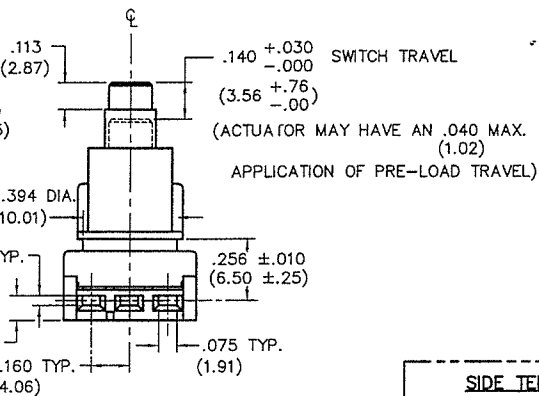
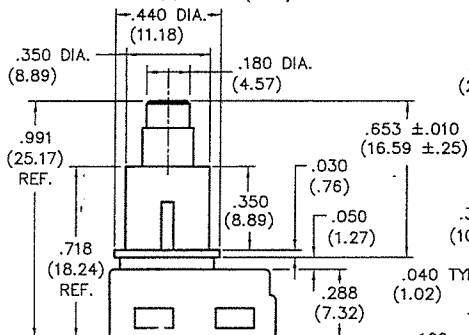
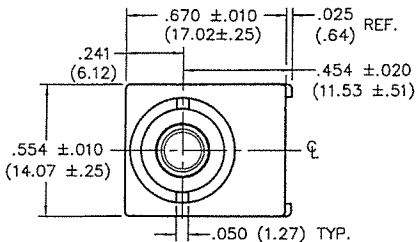
**SPECIFICATIONS:**

**MATERIALS:**

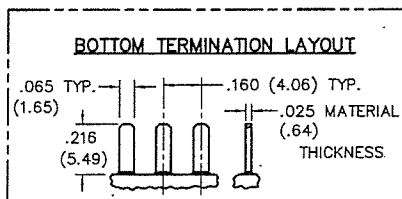
HOUSING & BASE - Nylon and or Glass Filled  
Nylon 6/6 UL 94-V2 minimum  
ACTUATOR - Nylon 6/6 UL 94-V2 minimum  
MOVING CONTACT - Copper Alloy/Phos. Bronze Silver Plated  
STATIONARY CONTACT - BeCu 174 Alloy, Silver Plated  
ELECTRICAL RATING - 1A. 125V.A.C.  
3A. 14V.D.C.  
MECHANICAL PERFORMANCE - 30,000 Cycles minimum  
at Rated Load.  
OPERATING FORCE - 9 - 13ozs. Typical,  
2.5 - 3.5 Newtons, Spec. as Tested  
VOLTAGE DROP - .030V. MAX @ .7A  
TERMINATION - Insert male tabs into switch housing  
using side or bottom termination option. Refer  
to termination option layout for dimensions."



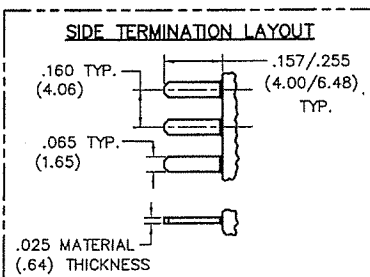
**SWITCH TRAVEL SPECIFICATIONS**



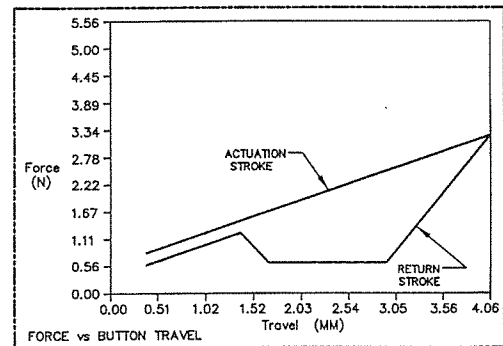
**BOTTOM VIEW**



**BOTTOM TERMINATION LAYOUT**



**SIDE TERMINATION LAYOUT**



**FORCE vs BUTTON TRAVEL**

1 2 3 4 5 6 7 8 9 10

REVISIONS  
RELEASED  
DOW 7-01-2008  
JUL 02 2008

**ATTENTION**  
THIS DRAWING AND ITS ATTACHMENTS, IF ANY, ARE PROPRIETARY TO CW INDUSTRIES AND DESCRIBE DESIGNS THAT ARE CONFIDENTIAL AND MUST NOT BE DISCLOSED UNLESS AUTHORIZED, IN WRITING, BY AN OFFICER OF CW INDUSTRIES.....

**CW INDUSTRIES**  
Southampton, Pa. 18966  
TOLERANCES UNLESS OTHERWISE SPECIFIED:  
2 Place Decimal ±.010 METRIC  
3 Place Decimal ±.005 1 Place Dec. ±.25mm  
Angles ..... ±1' 2 Place Dec. ±.13mm  
Made for: CW IND.  
Drawn by: DGW 7-01-2008  
Checked by: G.Guld 7-1-08  
Approval: G.Guld 7-1-08

Title:  
**SWITCH ASSEMBLY  
PUSH ON-PUSH OFF  
S.P.D.T.**  
Division:  
**SWITCH**  
Dwg. No.  
**GC-536-0215**

**MASTER**