

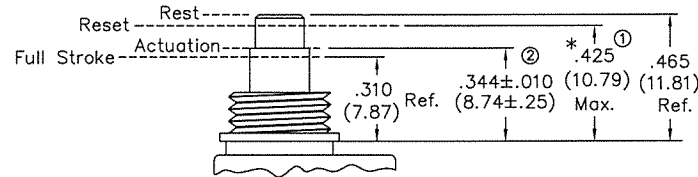
DIMENSIONS IN INCHES (MILLIMETERS)  
DO NOT SCALE DRAWING .....

Dwg. No.  
**GC-536-0107**

**SPECIFICATIONS:**

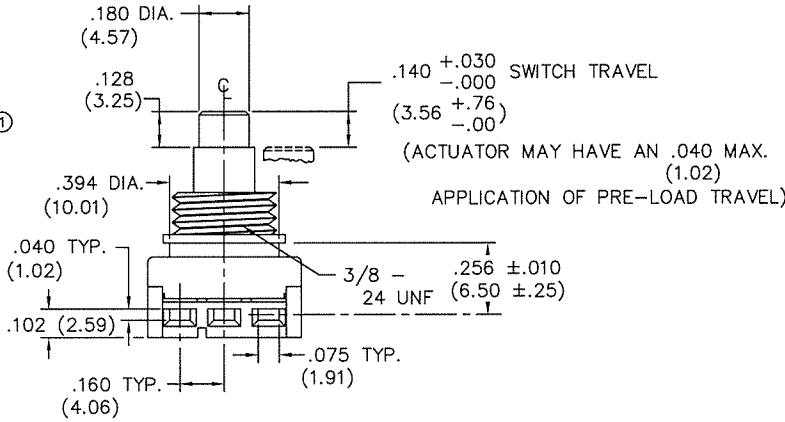
**MATERIALS:**

- HOUSING & BASE - Nylon and or Glass Filled  
Nylon 6/6 UL 94-V2 minimum
- ACTUATOR - Nylon 6/6 UL 94-V2 minimum
- MOVING CONTACT - Copper Alloy/Phos. Bronze Silver Plated
- STATIONARY CONTACT - BeCu 174 Alloy/75µin. Silver Plated
- ELECTRICAL RATING - 1A. 125V.A.C.  
3A. 14V.D.C.
- MECHANICAL PERFORMANCE - 30,000 Cycles minimum  
at Rated Load.
- OPERATING FORCE - 17 - 24ozs., Typical  
4.6 - 6.6 Newtons, Typical
- VOLTAGE DROP - .030V. MAX @ .7A
- TERMINATION - Insert male tabs into switch housing  
using bottom termination. Refer  
to termination layout for dimensions."

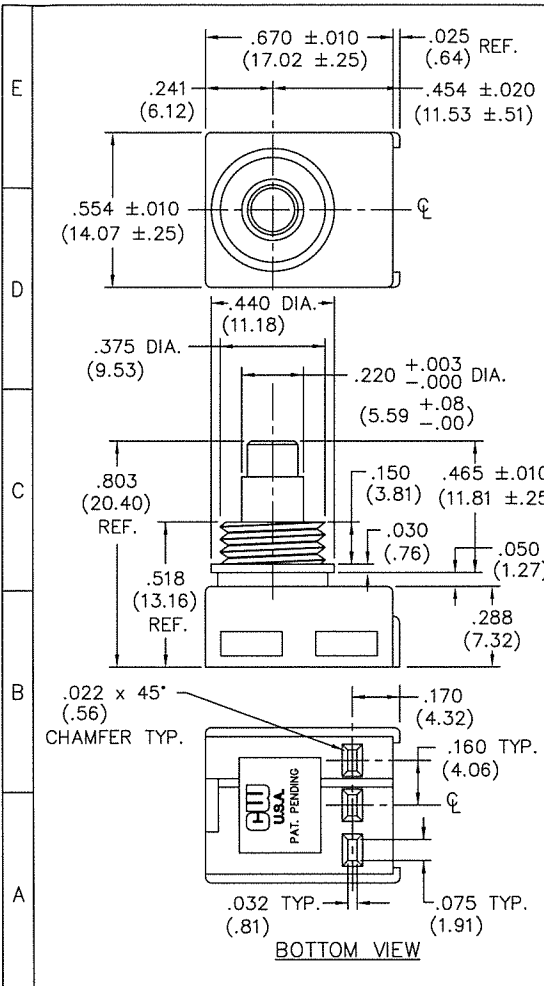
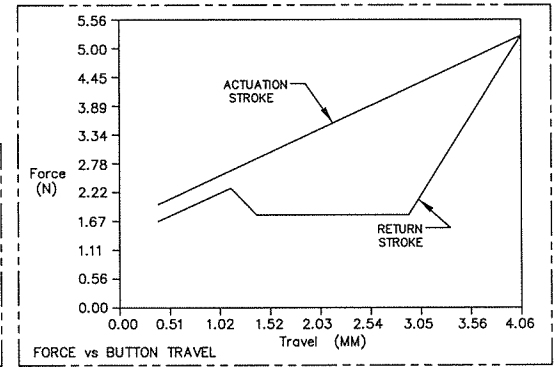
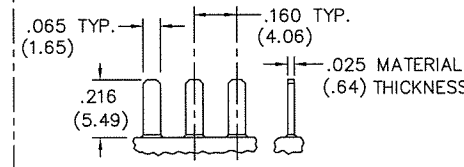


**SWITCH TRAVEL SPECIFICATIONS**

\* Mating Part can Pre-Load Actuator  
down to .425 (10.79) max..



**BOTTOM TERMINATION LAYOUT**



1 2 3 4 5 6 7 8 9 10

REVISIONS
0 RELEASED. D&W 5-23-2002 MAY 23, 2002
1 REDRAWN. .425 MAX. WAS .425 MIN. IN TRAVEL SPECIFICATIONS. IN TRAVEL SPECIFICATIONS. -465±.010 WAS -.465±.010. ADDED PRE-LOAD NOTE TO TRAVEL NOTE & ADDED FORCE VS BUTTON TRAVEL CHART. REMOVED SIDE TERM. LAYOUT. D&W 5-08-2003 CH 5/8/03
2 .344±.010 WAS .342±.008 IN TRAVEL SPEC.'S. D&W 10-29-2004 CH OCT. 29, 2004

**ATTENTION**  
THIS DRAWING AND ITS ATTACHMENTS, IF ANY, ARE  
PROPRIETARY TO CW INDUSTRIES AND DESCRIBE  
DESIGNS THAT ARE CONFIDENTIAL AND MUST NOT  
BE DISCLOSED UNLESS AUTHORIZED, IN WRITING,  
BY AN OFFICER OF CW INDUSTRIES.....

 Southampton, Pa. 18966 TOLERANCES UNLESS OTHERWISE SPECIFIED 2 Place Decimal ±.010 METRIC 3 Place Decimal ±.005 1 Place Dec. ±.25mm Angles ..... ±1' 2 Place Dec. ±.13mm Made for: CW IND. Drawn by: DGW 5-23-2002 Checked by: GG 5-8-03 Approval: CH 5/8/03	Title: SWITCH ASSEMBLY PUSH ON-PUSH OFF S.P.D.T. W/SPECIAL BUTTON Division: SWITCH Dwg. No. GC-536-0107
--	---