

DIMENSIONS IN INCHES (MILLIMETERS)
DO NOT SCALE DRAWING

Dwg. No.
GC-536-0106

SPECIFICATIONS:

MATERIALS:

HOUSING & BASE - Nylon and or Glass Filled
Nylon 6/6 UL 94-V2 minimum

ACTUATOR - Nylon 6/6 UL 94-V2 minimum

MOVING CONTACT - Copper Alloy/Phos. Bronze Silver Plated

STATIONARY CONTACT - BeCu 174 Alloy/75µin. Silver Plated

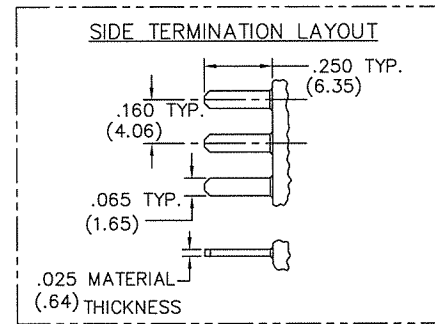
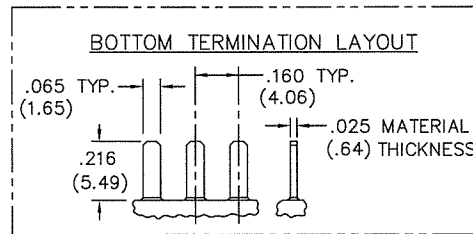
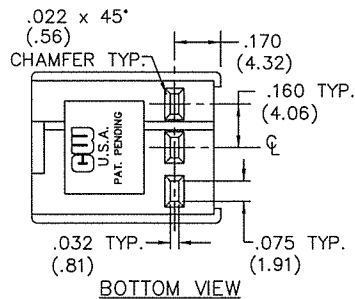
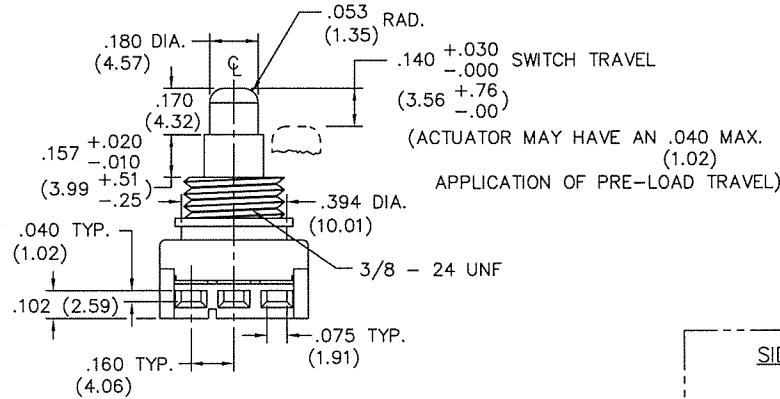
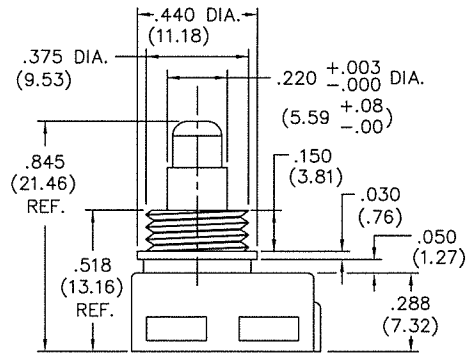
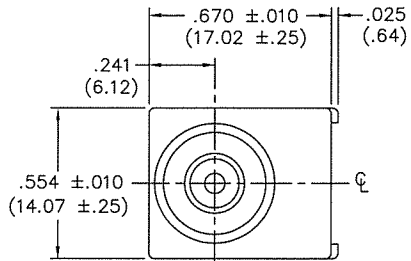
ELECTRICAL RATING - 1A. 125V.A.C.
3A. 14V.D.C.

MECHANICAL PERFORMANCE - 30,000 Cycles minimum
at Rated Load.

OPERATING FORCE - 20 oz. TYPICAL

VOLTAGE DROP - .030V. MAX @ .7A

TERMINATION - Insert male tabs into switch housing
using side or bottom termination option. Refer
to termination option layout for dimensions."



1 2 3 4 5 6 7 8 9 10

FORM-B3	REVISIONS	0	<p>ATTENTION</p> <p>THIS DRAWING AND ITS ATTACHMENTS, IF ANY, ARE PROPRIETARY TO CW INDUSTRIES AND DESCRIBE DESIGNS THAT ARE CONFIDENTIAL AND MUST NOT BE DISCLOSED UNLESS AUTHORIZED, IN WRITING, BY AN OFFICER OF CW INDUSTRIES.....</p>	<p>CW INDUSTRIES Southampton, Pa. 18966</p> <p>TOLERANCES UNLESS OTHERWISE SPECIFIED</p> <table border="1"> <tr> <td>2 Place Decimal ±.010</td> <td>METRIC</td> </tr> <tr> <td>3 Place Decimal ±.005</td> <td>1 Place Dec. ±.25mm</td> </tr> <tr> <td>Angles ±1'</td> <td>2 Place Dec. ±.13mm</td> </tr> </table> <p>Made for: CW IND.</p> <p>Drawn by: DGW 3-22-2002</p> <p>Checked by: GG 3-22-2002</p> <p>Approval: GZ 3-22-2002</p>	2 Place Decimal ±.010	METRIC	3 Place Decimal ±.005	1 Place Dec. ±.25mm	Angles ±1'	2 Place Dec. ±.13mm	<p>Title: SWITCH ASSEMBLY PUSH ON-PUSH OFF S.P.D.T. W/RAD. BUTTON</p> <p>Division: SWITCH</p> <p>Dwg. No. GC-536-0106</p>
		2 Place Decimal ±.010			METRIC						
		3 Place Decimal ±.005			1 Place Dec. ±.25mm						
		Angles ±1'			2 Place Dec. ±.13mm						
RELEASED. 3-22-2002											
DGW 3-22-2002											
3-22-2002											