

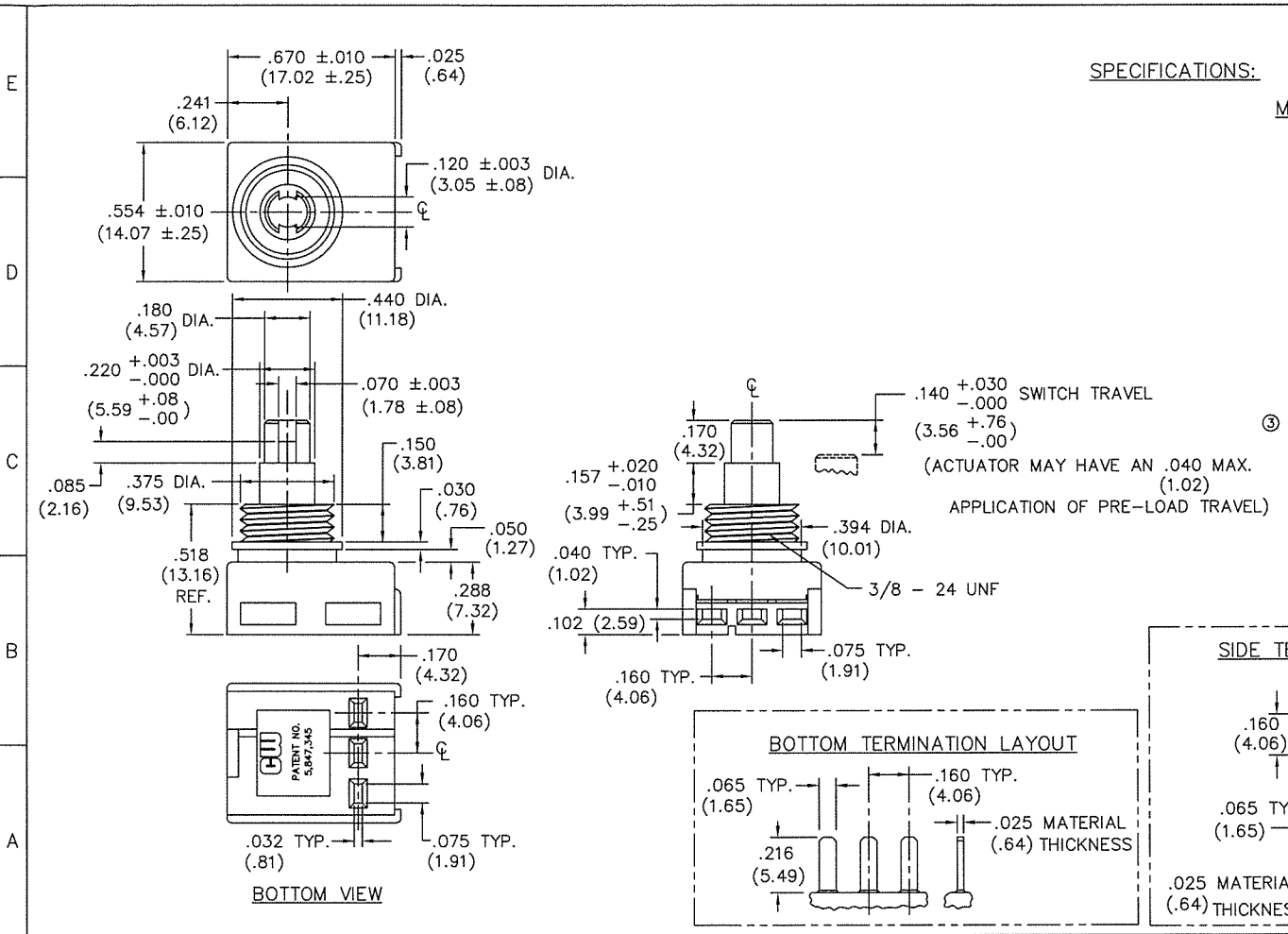
DIMENSIONS IN INCHES (MILLIMETERS)
DO NOT SCALE DRAWING

Dwg. No.
GC-536-0105

SPECIFICATIONS:

MATERIALS:

- HOUSING & BASE - Nylon and or Glass Filled
Nylon 6/6 UL 94-V2 minimum
- ACTUATOR - Nylon 6/6 UL 94-V2 minimum
- MOVING CONTACT - Copper Alloy/Phos. Bronze Silver Plated
- STATIONARY CONTACT - BeCu 174 Alloy/75µin. Silver Plated
- ELECTRICAL RATING - 1A. 125V.A.C.
3A. 14V.D.C.
- MECHANICAL PERFORMANCE - 30,000 Cycles minimum
at Rated Load.
- ⑨ OPERATING FORCE - 10 - 34ozs.,
2.8 - 9.5 Newtons,
Spec. as Tested
- VOLTAGE DROP - Less than 100mV @ 1A.
- TERMINATION - Insert male tabs into switch housing
using side or bottom termination option. Refer
to termination option layout for dimensions."



1 2 3 4 5 6 7 8 9 10

FORM-B3	REVISIONS	2	BEDRAWN. ADDED METRIC DIM'S TO DWG.. UPDATED OPERATING FORCE. DGW 4-29-2002 11-20-2002
		3	CHANGED OPERATING FORCE, 10-34 OZS. WAS 20-31 OZS. & 2.8-9.5 NEWTONS WAS 5.6-8.6. DGW 2-21-2005 AH FEB. 21, 2005

ATTENTION

THIS DRAWING AND ITS ATTACHMENTS, IF ANY, ARE PROPRIETARY TO CW INDUSTRIES AND DESCRIBE DESIGNS THAT ARE CONFIDENTIAL AND MUST NOT BE DISCLOSED UNLESS AUTHORIZED, IN WRITING, BY AN OFFICER OF CW INDUSTRIES.....

CW INDUSTRIES
Southampton, Pa. 18966

TOLERANCES UNLESS OTHERWISE SPECIFIED

2 Place Decimal ±.010	METRIC
3 Place Decimal ±.005	1 Place Dec. ±.25mm
Angles ±1°	2 Place Dec. ±.13mm

Made for: CW IND.
Drawn by: DGW 9-21-99
Checked by: GG 11-18-02
Approval: BF 11-18-02

Title: SWITCH ASSEMBLY
PUSH ON - PUSH OFF
S.P.D.T.
W/CUSTOM KNOB

Division: SWITCH

Dwg. No.
GC-536-0105