

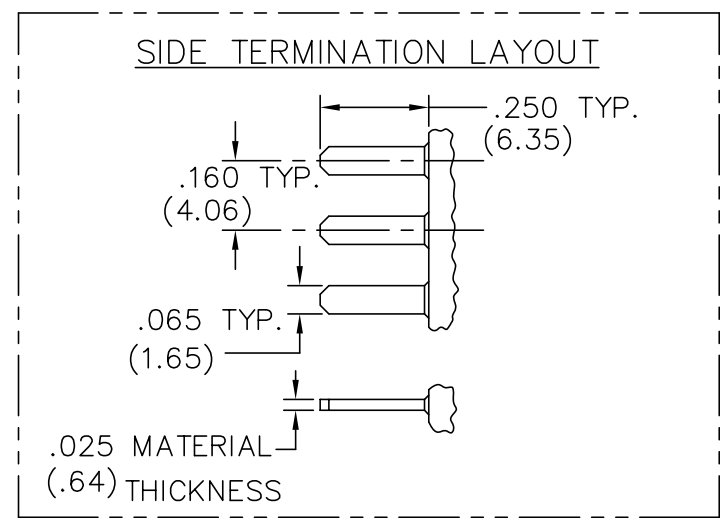
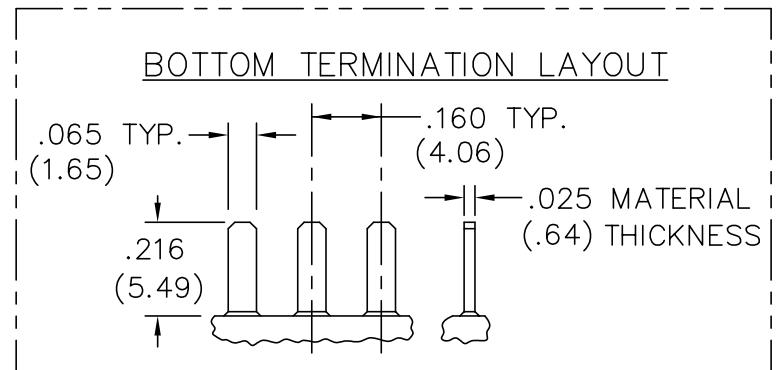
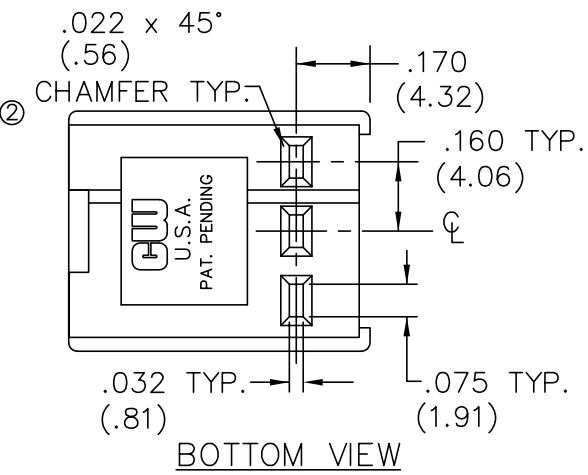
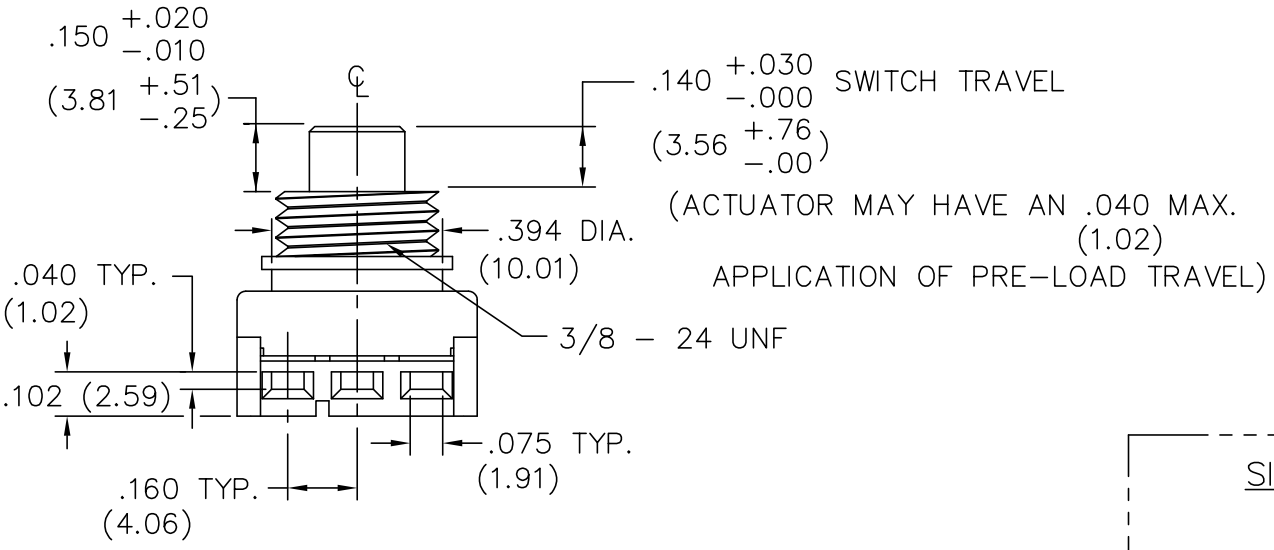
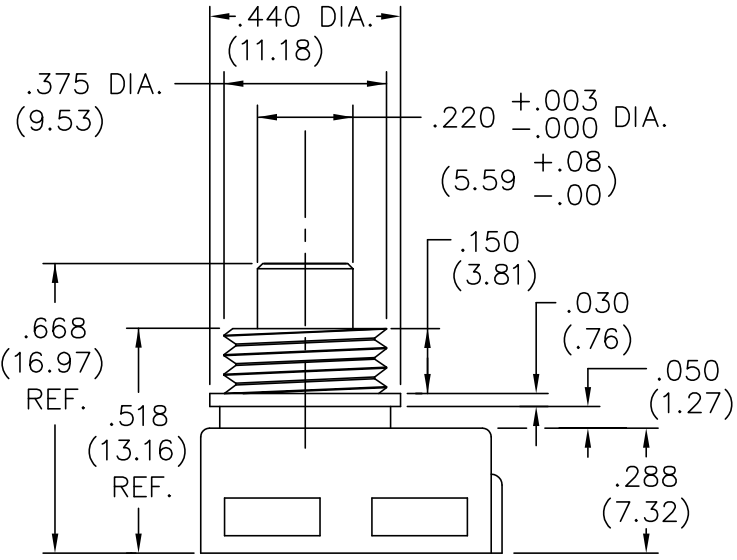
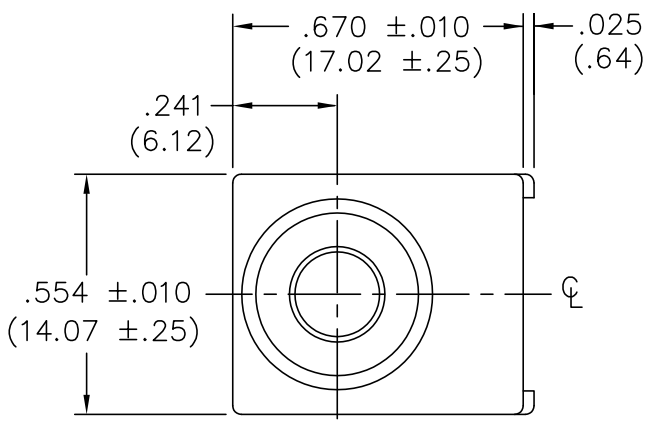
DIMENSIONS IN INCHES (MILLIMETERS)
DO NOT SCALE DRAWING

Dwg. No.
GC-536-0001

SPECIFICATIONS:

MATERIALS:

- HOUSING & BASE – Nylon and or Glass Filled
Nylon 6/6 UL 94-V2 minimum
- ACTUATOR – Nylon 6/6 UL 94-V2 minimum
- MOVING CONTACT – Copper Alloy/Phos. Bronze Silver Plated
- STATIONARY CONTACT – BeCu 174 Alloy/Unplated
- ELECTRICAL RATING – 1A. 125V.A.C.
3A. 14V.D.C.
- MECHANICAL PERFORMANCE – 30,000 Cycles minimum
at Rated Load.
- OPERATING FORCE – 20 – 31ozs.,
5.6 – 8.6 Newtons,
Spec. as Tested
- VOLTAGE DROP – .030V. MAX @ .7A
- TERMINATION – Insert male tabs into switch housing
using side or bottom termination option. Refer
to termination option layout for dimensions.”



1	2	3	4	5	6	7	8	9	10
---	---	---	---	---	---	---	---	---	----

FORM-B3
REVISIONS
2
REDRAWN. ADDED METRIC DIM.'S & .022 x 45° TO DRAWING. UPDATED OPERATING FORCE.
DGW 4-29-2002
11-20-2002

CW INDUSTRIES
Southampton, Pa. 18966

TOLERANCES UNLESS OTHERWISE SPECIFIED

2 Place Decimal ±.010	METRIC
3 Place Decimal ±.005	1 Place Dec. ±.25mm
Angles ±1°	2 Place Dec. ±.13mm

Made for: CW IND.
Drawn by: DGW 4-07-98
Checked by: GG 11-18-02
Approval: BF 11-18-02

Title:
SWITCH ASSEMBLY
PUSH ON-PUSH OFF
S.P.D.T.

Division:
SWITCH

Dwg. No.
GC-536-0001