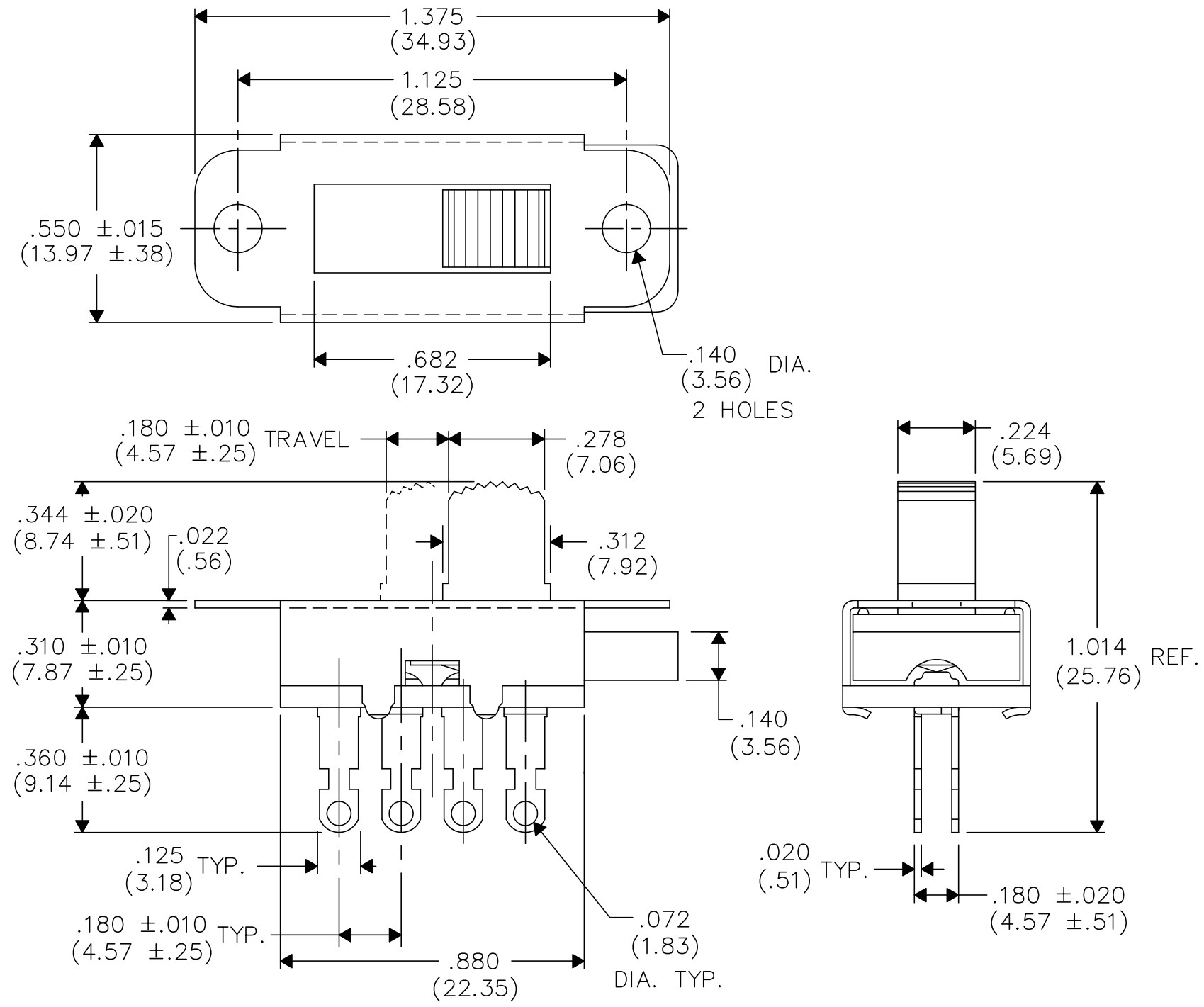


DIMENSIONS IN INCHES (MILLIMETERS)  
DO NOT SCALE DRAWING .....

Dwg. No.  
G-690-0000



1 2 3 4 5 6 7 8 9 10

FORM-B4	REVISIONS	0								
		RELEASED. DGW 1-18-2001 Jan. 30, 2001								

PDF File Made	<b>CW INDUSTRIES</b> Southampton, Pa. 18966	Title:	
	TOLERANCES UNLESS OTHERWISE SPECIFIED	SWITCH ASSEMBLY	
	2 Place Decimal ±.010 3 Place Decimal ±.005 Angles ..... ±1°	METRIC 1 Place Dec. ±.25mm 2 Place Dec. ±.13mm	S.P.- 3P.
	Made for: CW IND.	Division:	
	Drawn by: DGW 1-18-2001	SWITCH	
Checked by: GG 1-22-01	Dwg. No.	G-690-0000	
Approval: BF 1-29-01			