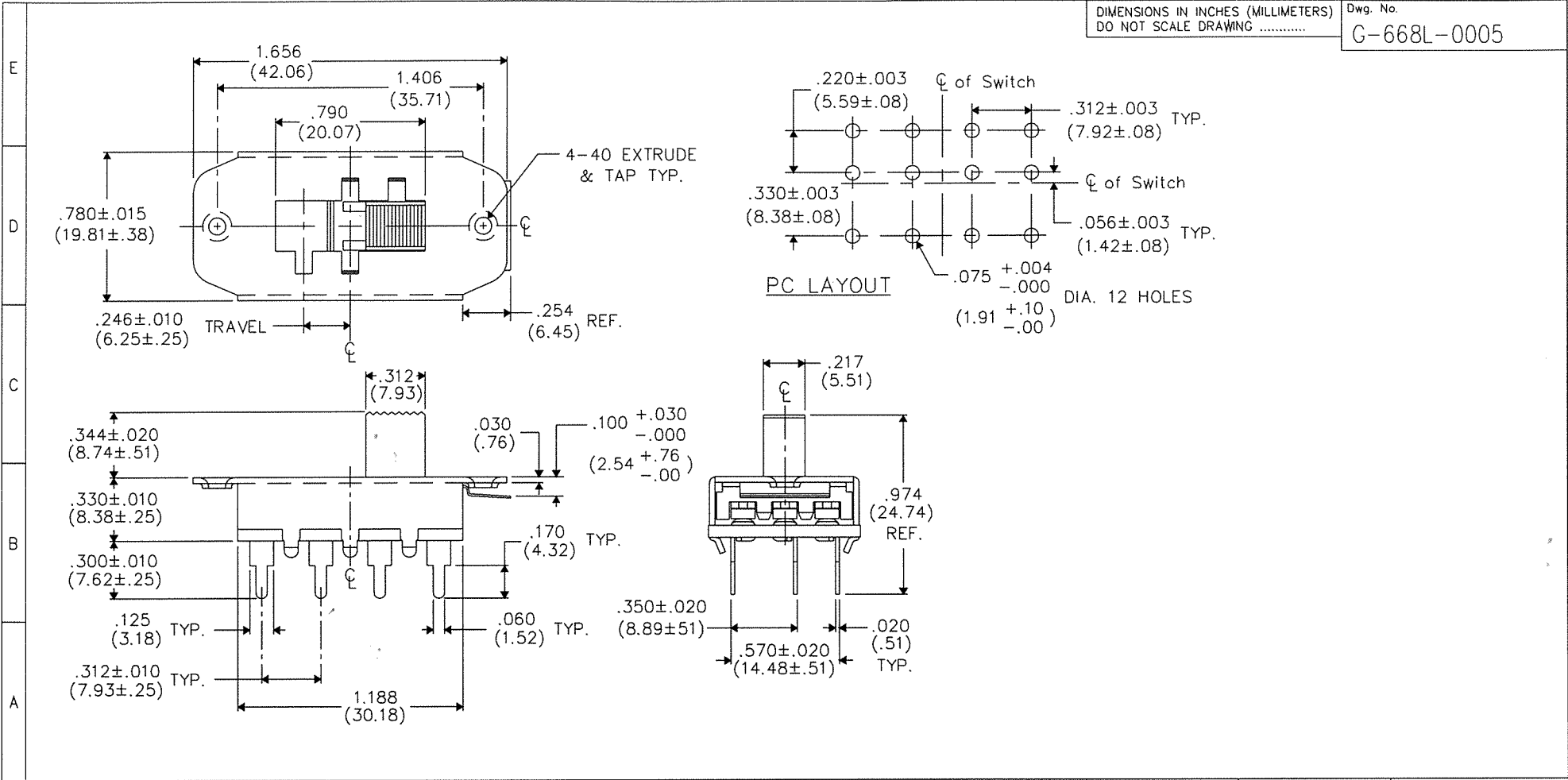


DIMENSIONS IN INCHES (MILLIMETERS)
DO NOT SCALE DRAWING

Dwg. No.
G-668L-0005



1 2 3 4 5 6 7 8 9 10

B-FORMAT 2002
 REVISIONS
 0
 RELEASED:
 DCW 3-04-2004
 Mar. 10, 2004

ATTENTION
 THIS DRAWING AND ITS ATTACHMENT, IF ANY, ARE
 PROPRIETARY TO CW INDUSTRIES AND DESCRIBE
 DESIGNS THAT ARE CONFIDENTIAL AND MUST NOT
 BE DISCLOSED UNLESS AUTHORIZED, IN WRITING,
 BY AN OFFICER OF CW INDUSTRIES.....

Southampton, Pa. 18966 TOLERANCES UNLESS OTHERWISE SPECIFIED 2 Place Decimal ±.010 METRIC 3 Place Decimal ±.005 1 Place Dec. ±.25mm Angles ±1° 2 Place Dec. ±.13mm	Title: SLIDE SWITCH 3 POLE/3 POSITION LONG DETENT
	Division: SWITCH Dwg. No. G-668L-0005
Made for: CW IND. Drawn by: DCW 3-04-2004 Checked by: GG 3-10-04 Approval: BF 3-10-4	