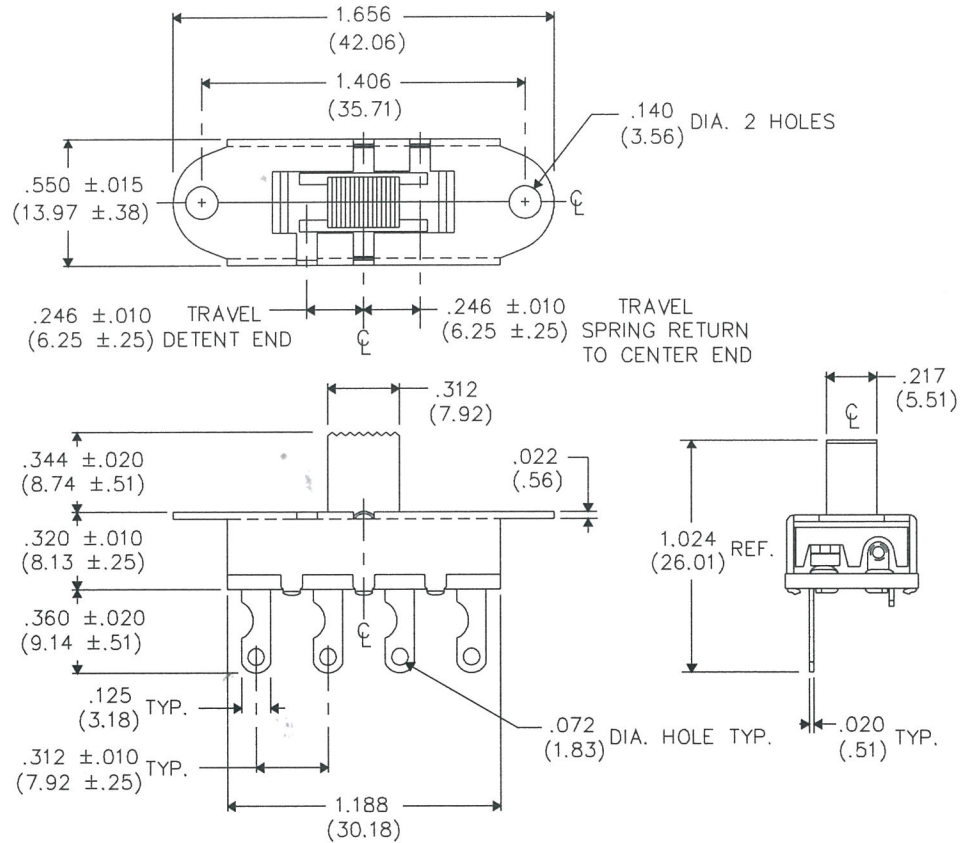


DIMENSIONS IN INCHES (MILLIMETERS)  
DO NOT SCALE DRAWING .....

Dwg. No.  
G-633S-0000



FORM-B4

REVISIONS

0	RELEASED: DGW 7-27-94 RBK Aug. 2, 1994
---	----------------------------------------------

**ATTENTION**  
THIS DRAWING AND ITS ATTACHMENT, IF ANY, ARE PROPRIETARY TO CW INDUSTRIES AND DESCRIBE DESIGNS THAT ARE CONFIDENTIAL AND MUST NOT BE DISCLOSED UNLESS AUTHORIZED, IN WRITING, BY AN OFFICER OF CW INDUSTRIES.....

<b>CW INDUSTRIES</b> Southampton, Pa. 18966	
TOLERANCES UNLESS OTHERWISE SPECIFIED	
2 Place Decimal ±.010	METRIC
3 Place Decimal ±.005	1 Place Dec. ±.25mm
Angles ..... ±1°	2 Place Dec. ±.13mm
Made for: CW IND.	
Drawn by: DGW 7-27-94	
Checked by: GG 8-1-94	
Approval: RBK 8-2-94	

Title:	SWITCH ASSEMBLY SPRING RETURN S.P.- 3 POS.
Division:	SWITCH
Dwg. No.	G-633S-0000

MASTER