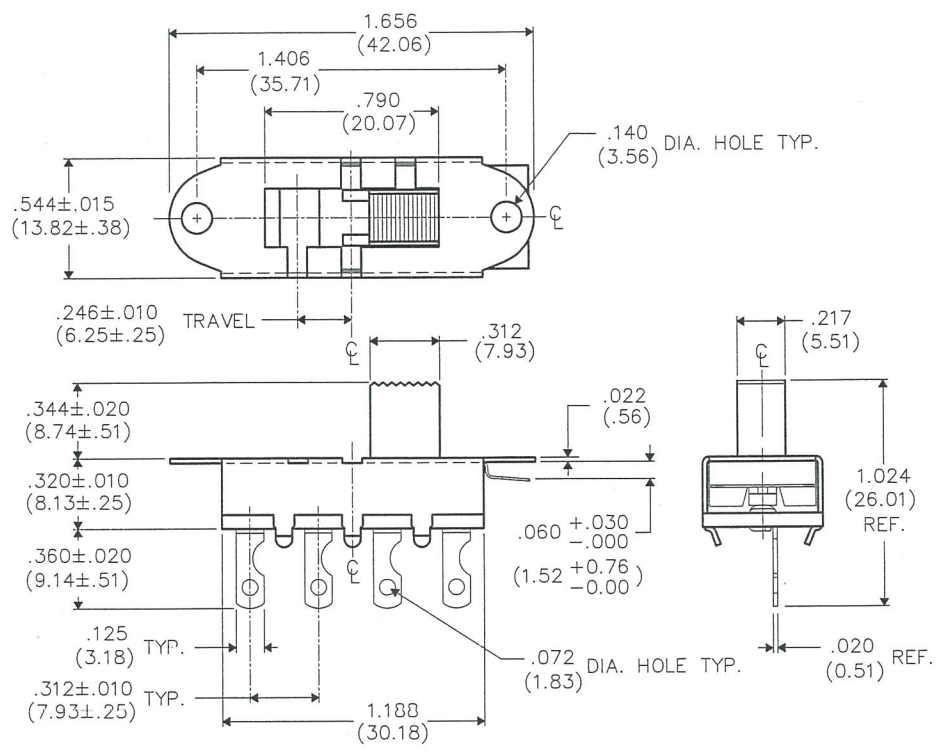


THIS INFORMATION IS CONFIDENTIAL AND PROPRIETARY TO CW INDUSTRIES INCORPORATED AND ITS AFFILIATES. IT MAY NOT BE DISCLOSED TO ANYONE OTHER THAN CW INDUSTRIES PERSONNEL, WITHOUT WRITTEN AUTHORIZATION FROM CW INDUSTRIES INCORPORATED, SOUTHAMPTON, PENNSYLVANIA USA.

DIMENSIONS IN INCHES (MILLIMETERS)
DO NOT SCALE DRAWING

Dwg. No.
G-629L-0000



1 2 3 4 5 6 7 8 9 10

B-FORMAT 2002	REVISIONS	CW INDUSTRIES Southampton, Pa. 18966 TOLERANCES UNLESS OTHERWISE SPECIFIED 2 Place Decimal ±.010 METRIC 3 Place Decimal ±.005 1 Place Dec. ±.25mm Angles ±1° 2 Place Dec. ±.13mm Made for: CW IND. Drawn by: DGW 1-25-2016 Checked by: <i>G. GULD 1-27-16</i> Approval: <i>G. GULD 1-27-16</i>	Title: SLIDE SWITCH ASSEMBLY S.P. - 3 POS. Division: SWITCH Dwg. No. G-629L-0000
	0		
	RELEASED. DGW 1-25-2016 JAN 28 2016		

MASTER